



ETA-Danmark A/S
Göteborg Plads 1
DK-2150 Nordhavn
Tel. +45 72 24 59 00
Internet www.etadanmark.dk

Authorised and notified
according to Article 29 of the
Regulation (EU)
No 305/2011 of the European
Parliament and of the Council
of 9 March 2011

MEMBER OF EOTA



European Technical Assessment ETA-20/1320 of 2021/01/01

I General Part

Technical Assessment Body issuing the ETA and designated according to Article 29 of the Regulation (EU) No 305/2011: ETA-Danmark A/S

Trade name of the construction product:

MULCOL® MULTITHERM BANDAGE

Product family to which the above construction product belongs:

Fire Stopping and Sealing Product:
• Penetration Seals

Manufacturer:

Mulcol International BV
Arnesteinweg 18
4338 PD Middelburg
The Netherlands

Manufacturing plant:

L/001

This European Technical Assessment contains:

44 pages including 2 annexes which form an integral part of the document

This European Technical Assessment is issued in accordance with Regulation (EU) No 305/2011, on the basis of:

EAD 350454-00-1104 for Fire stopping and fire sealing products - Penetration seals

This version replaces:

-

Translations of this European Technical Assessment in other languages shall fully correspond to the original issued document and should be identified as such.

Communication of this European Technical Assessment, including transmission by electronic means, shall be in full [except the confidential Annex(es) referred to above]. However, partial reproduction may be made with the written consent of the issuing Technical Assessment Body. Any partial reproduction has to be identified as such.

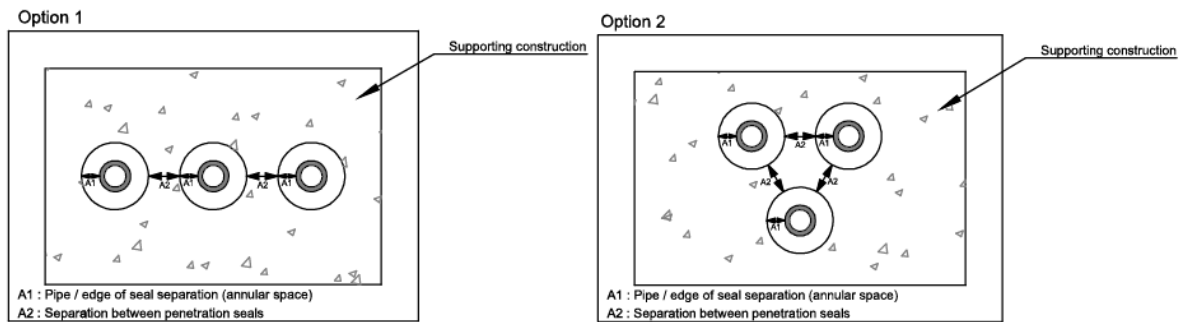
I. SPECIFIC PARTS OF THE EUROPEAN TECHNICAL ASSESSMENT

1 Technical description of the product

- 1) Mulcol® Multitherm Bandage is a pipe wrap device used to form penetration seals where aluminium composite pipes and metal pipes penetrate walls and floors.
- 2) The Mulcol® Multitherm Bandage is supplied as a 3000 x 150 x 3 mm roll, to be cut to size for wrapping around pipes in 1, 2 or 3 layers.
- 3) Services penetrating the Mulcol® Multitherm Bandage are required to be supported at maximum 350 mm from both faces of walls and from the top face of floors.
- 4) The permitted separation between apertures and annular spaces for the services/seals are indicated below (other configurations specific dimensions are given in Annex A and B:

Filling material (a ₁)			Minimum distance between aperture edges, distance A ₂ ,
Mulcol® Multisealant GR with Mulcol® Multitherm Backing	Mulcol® Multisealant GR with Mulcol® Stone wool Backing	Mulcol® Multisealant A or Multimastic SP both faces	
Annular gap 15 to 75 mm / full depth	Annular gap 15 to 50 mm / 20 mm depth to both faces with 60 mm stone wool	Annular gap ≤ 20 mm / depth ≥ 10 mm	100 mm

Visualisation of annular space and separation between penetration seals



5) The following products are used in conjunction with Mulcol® Multitherm Bandage to form the penetration seal:

- Mulcol® Multimastic FB1;
- Mulcol® Multisealant A;
- Mulcol® Multisealant GR with backing stone wool ≥ 35 kg/m³ ;
- Mulcol® Multimastic SP;
- Mulcol® Multimastic C;
- Mulcol® Multimastic GR;
- Mulcol® Multifoam 2K;
- Mulcol® Multisealant GR with Mulcol® Multitherm Backing;

6) Pipe materials referred to in Annex A are as follows:

Material	Standards
Steel	EN 1507
Copper	EN 10255 / EN 12449
Aluminium Composite	EN ISO 15494

- 7) The applicant has submitted a written declaration that the product and/or constituents of the product contains no substances which have been classified as dangerous according to Directive 67/548/EEC and Regulation (EC) No. 1272/2008 and listed in the 'indicative list on dangerous substances' of the EGDS – taking into account the installation conditions of the construction product and the release scenarios resulting from there.

In addition to the specific clauses relating to dangerous substances contained in this European Technical Assessment, there may be other requirements applicable to the products falling within its scope (e.g. transposed European legislation and national laws, regulations and administrative provisions). In order to meet the provisions of the Construction Products Regulation, these requirements need also to be complied with, when and where they apply.

- 8) The use category of Mulcol® Multitherm Bandage in relation to BWR 3 (Hygiene, health and environment) is IA1, S/W3

2 Specification of the intended uses of the product in accordance with the applicable European Assessment Document (Hereinafter EAD): EAD 350454-00-1104

Detailed information and data is given in Annex A.

The intended use of system Mulcol® Multitherm Bandage is to reinstate the fire resistance performance of flexible wall and rigid wall and floor constructions, where they are penetrated by services.

- 1) The specific elements of construction that the system Mulcol® Multitherm Bandage may be used to provide a penetration seal in, are as follows:

Flexible walls: The wall must have a minimum thickness of 100 mm and comprise steel studs lined on both faces with minimum 2 layers of 12.5 mm thick boards.

Rigid walls: The wall must have a minimum thickness of 100 mm and comprise concrete, aerated concrete or masonry, with a minimum density of 650 kg/m³.

Rigid floors: The floor must have a minimum thickness of 150 mm and comprise aerated concrete or concrete with a minimum density of 600±200 kg/m³, class G4/600 or heavier.

The supporting construction must be classified in accordance with EN 13501-2 for the required fire resistance period.

- 2) General conditions – Flexible wall

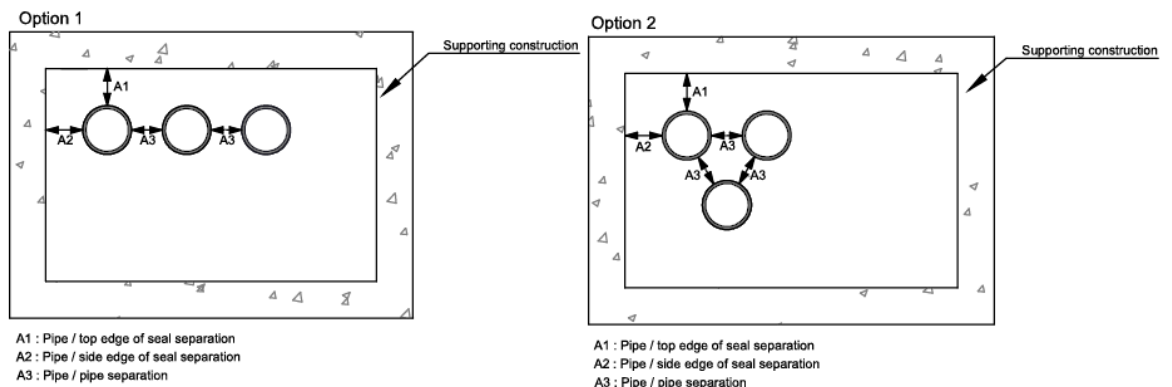
The pipe penetrations can be applied in any type of insulated or non insulated flexible all construction (partition) provided that the following conditions are met. The total thickness of the flexible wall (for example walls with wooden or steel framing) shall be at least 100 mm. The wall shall consist out of in total four board layers with a thickness of 12.5 mm each. A minimum distance of 100 mm to a stud shall be held. When wooden studs are used, at least 100 mm of insulation class A1 or A2 according to EN 13501-2 shall be present between the penetration seal and the stud(s).

- 3) General conditions – Mixed Penetration Seals – Multiple Mulcol® Multitherm Bandage devices with the same or different services, may be incorporated in coated firestop board system Mulcol® Multimastic FB1 subject to the conditions specified in Annex A. The performance of the seal is restricted to the contained service/Mulcol® Multitherm Bandage device with the lowest classification, as given in Annex A.

In the Mulcol® Multimastic FB1 system the following minimum distances between the apertures edges and between the pipes shall be applied (distance A₁ to A₃ according to Figure E.1 of EN 1366-3: 2009, See Figure 2):

- distance A₁ = 50 mm;
- distance A₂ = 50 mm;
- distance A₃ = 100 mm.

Figure 2 Figure E.1 of EN 1366-3: 2009



4) The system Mulcol® Multitherm Bandage may be used to provide a penetration seal with specific supporting constructions and substrates (for details see Annex A).

5) The provisions made in this European Technical Assessment are based on an assumed working life of the Mulcol® Multitherm Bandage of 30 years, provided that the conditions laid down in the manufacturers datasheet and instructions for the packaging/transport/storage/installation/ use/repair are met. The indications given on the working life cannot be interpreted as a guarantee given by the producer or the Technical Assessment Body, but are to be regarded only as a means for choosing the right products in relation to the expected economically reasonable working life of the works.

6) Type Z₁: intended for use at internal conditions with high humidity, excluding temperatures below 0°C.

7) General Conditions – Installation in coated firestop board system – Mulcol® Multimastic FB1 (2x50 mm)

The aperture size in the floor may be up to 1200 mm wide and 2400 mm long and the wall may be up to 2400 mm wide and 1200 mm high. The Mulcol® Multimastic FB1 board system has a total thickness of 100 mm (2 x 50 mm) with a coating Mulcol® Multimastic C. The coating is applied with a thickness 1 mm on the outwards pointing faces of each panel (no coating between the boards). The coating shall also be applied circumferential over the opening of the rock wool with the adjacent construction (overlap minimal 25 mm). The joints between the different board elements and the aperture edge shall be glued together with Mulcol® Multimastic SP. A cavity of maximum 50 mm between the rock wool panels may be present.

For further information regarding the placing instructions and the field of application of the Mulcol® Multimastic FB1 (2 x 50 mm) penetration seal system reference is made to the European Technical Assessment ETA 16/0985 dated January 25, 2017 or ETA 16/0563 dated August 23, 2016.

The system Mulcol® Multitherm Bandage may be used to provide a penetration seal with specific supporting constructions and substrates (for details see Annex A).

8) General Conditions – Installation in Mulcol® Multifoam 2K system.

The aperture size in the floor may be up to 450 mm wide and 450 mm long and in the wall may be up to 450 mm wide and 500 mm wide. The Mulcol® Multifoam 2K system has a minimum total thickness of 144 mm in both walls (via pattress if necessary) and floors.

For further information regarding the placing instructions and the field of application of the Mulcol® Multifoam 2K penetration seal system reference is made to the European Technical Assessment ETA-17/0977.

9) Pipe types

The follow aluminium composite pipe types are allowed:

- Alpex DUO, Valsir Pexal, Valsir Mixal and APE Plain (PE-Xb/AL/PE-Xb);
- Uponor and Geberit Mepla (PE-RT/AL/PE-RT);
- Uponor and Henco (PE-Xc/AL/PE-Xc);
- Uponor and REHAU (PE-Xa) and REHAU (PE-Xc);
- SP Superpipe and POLYGON PEX (PE-X/AL/PE-X);
- Valsir Pexal and Valsir Mixal (PE/AL/PE-Xb);
- Wavin Tigris, Protecta-Line System and Alpex F50 Profi (PE-X/AL/PE).

10) General conditions for bandage installation

The bandage shall be applied interrupted at the aperture over a distance of 150 mm (1 or 2 layers) on both sides from the point where the pipe emerges out of the wall (LI in accordance with Table 1 of EN 1366-3:2009). One or Two layers of Mulcol® Multitherm Bandage shall be applied continuously in such manner that the end of the wrap is situated at the bottom of the pipe and an overlap of minimal 10 mm is accomplished.

- 11) Penetrations with an annular gap filled with Mulcol® Multisealant GR or Mulcol® Multifoam 2K you may also use a plastic pipe sleeve.
- 12) When using the Mulcol® Multitherm Bandage at floors, iron wire should be used in some cases with a thickness of at least 0.6 mm. The iron wire should only be applied to the underside of the floor.

A minimum of 3 iron wires are required per length of 150 mm Multitherm bandage. See Annex B

- 13) Method of wrapping layers of Mulcol® Multitherm Bandage:

Figure 1 (1x150 mm)

a: Minimum 10 mm overlap
b: Mulcol Multitherm Bandage

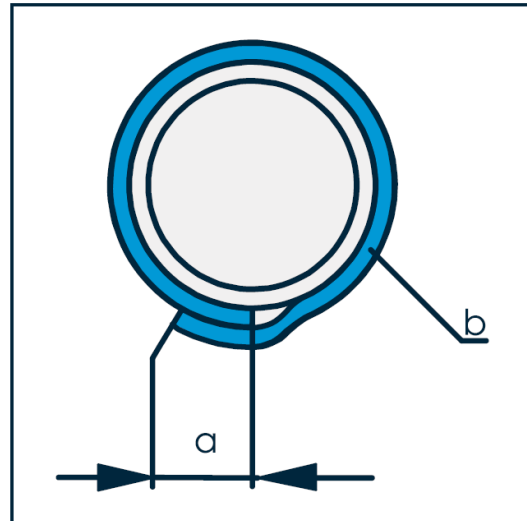
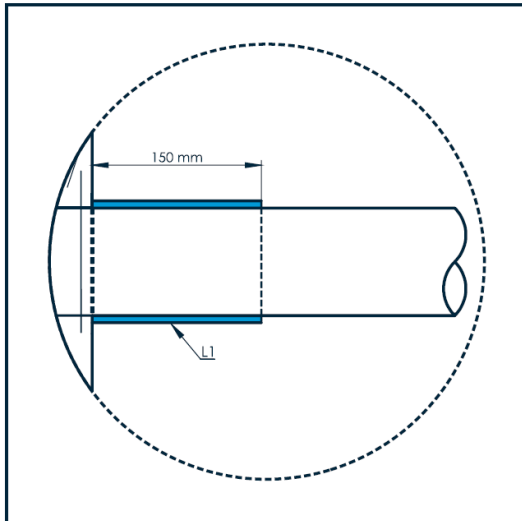


Figure 2 (2x150 mm)

a: Minimum 10 mm overlap
b: Mulcol Multitherm Bandage

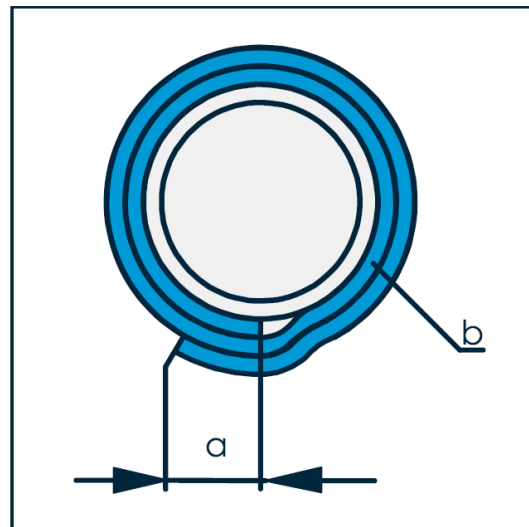
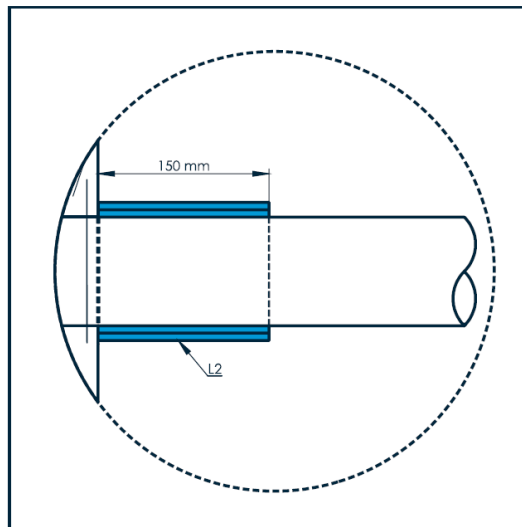


Figure 3 (3x150 mm)

- a: Minimum 10 mm overlap
- b: Mulcol Multitherm Bandage

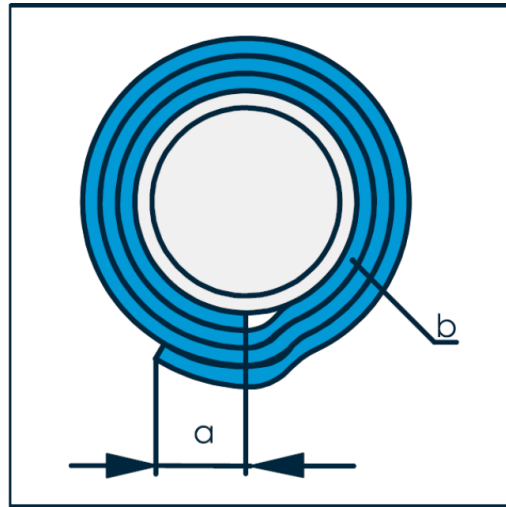
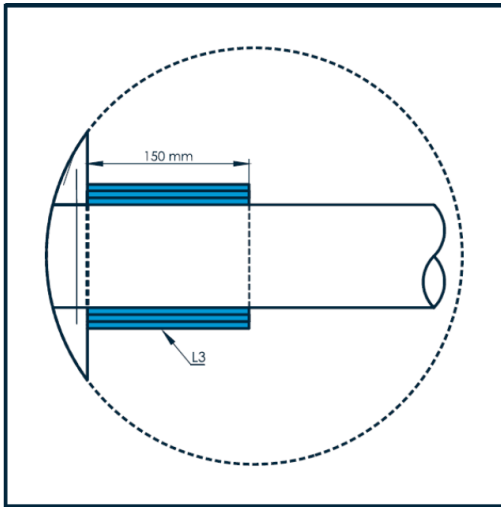
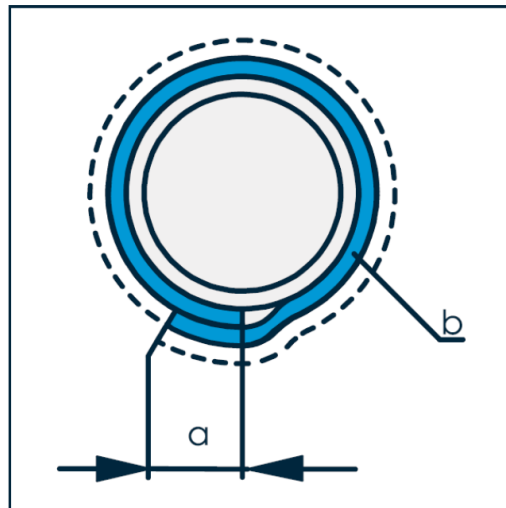
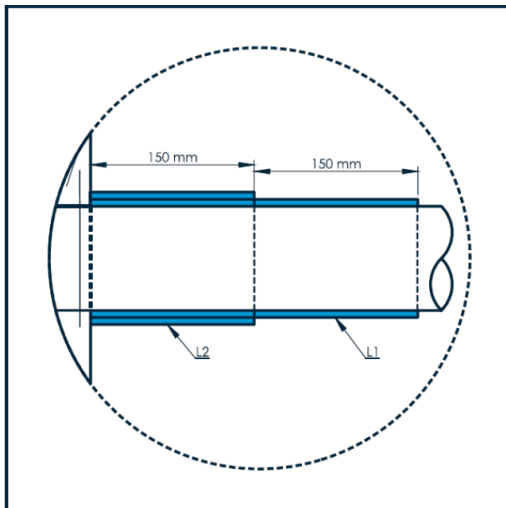


Figure 4 (2x150 mm + 1x150 mm)

- a: Minimum 10 mm overlap
- b: Mulcol Multitherm Bandage



3 Performance of the product and references to the methods used for its assessment

Product Type: Pipe closure		Intended use: Penetration Seal
	Essential characteristic	Product performance
BWR 2 Safety in case of fire		
	Reaction to fire	Class 'E'
	Resistance to fire	Annex A
BWR 3 Hygiene, health and environment		
	Air permeability	No performance assessed
	Water permeability	No performance assessed
	Content, emission and/or release of dangerous substances	Use categories: IA1, S/W3 Declaration of manufacturer
BWR 4 Safety in use		
	Mechanical resistance and stability	No performance assessed
	Resistance to impact/movement	
	Adhesion	
	Durability	Z ₁
BWR 5 Protection against noise		
	Airborne sound insulation	No performance assessed
BWR 6 Energy economy and heat retention		
	Thermal properties	No performance assessed
	Water vapour permeability	No performance assessed

4 ASSESSMENT AND VERIFICATION OF CONSTANCY OF PERFORMANCE (HEREINAFTER AVCP) SYSTEM APPLIED, WITH REFERENCE TO ITS LEGAL BASE

According to the decision 1999/454/EC – Commission Decision of date 22nd June 1999 on the procedure for attesting the conformity of construction products pursuant to Article 20(2) of Council Directive 89/106/EEC as regards fire stopping, fire sealing and fire protective products, published in the Official Journal of the European Union (OJEU) L178/52 of 14/07/1999, see <http://eur-lex.europa.eu/JOIndex.do>) of the European Commission¹, as amended, the system(s) of assessment and verification of constancy of performance (see Annex V to Regulation (EU) No 305/2011) given in the following table(s) applies (apply).

Product(s)	Intended use(s)	Level(s) or class(es)	System(s)
Fire stopping and Fire Sealing Products	For fire compartmentation and/or fire protection or fire performance	Any	1

5 Technical details necessary for the implementation of the AVCP system, as provided for in the applicable EAD

Technical details necessary for the implementation of the AVCP system are laid down in the control plan deposited at ETA-Danmark A/S prior to CE marking

Issued in Copenhagen on 2021-01-01 by



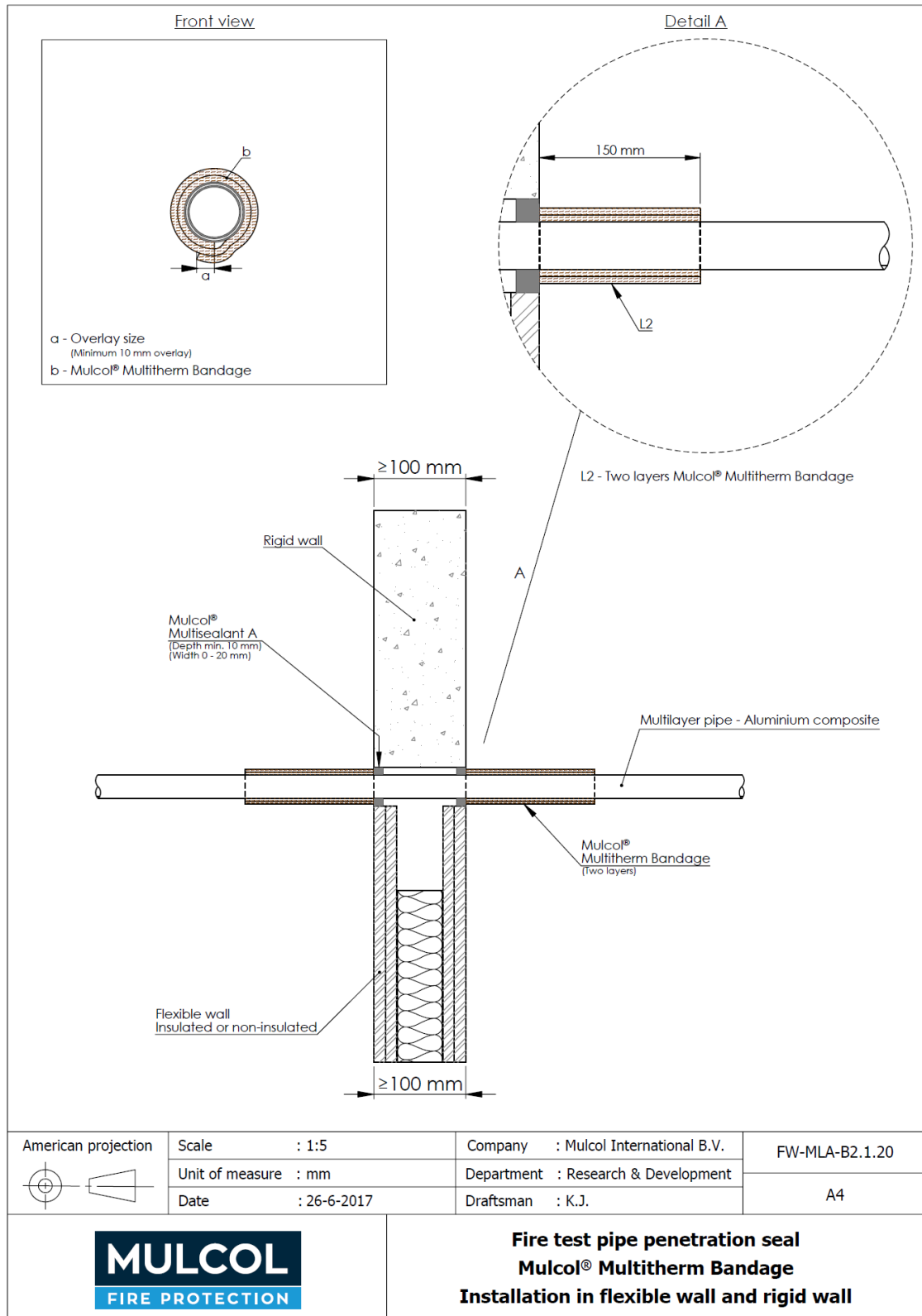
Thomas Bruun

Managing Director, ETA-Danmark

ANNEX A – Resistance to Fire Classification – Mulcol® Multitherm Bandage - Flexible or rigid wall constructions according to Section 2 1) with wall thickness of minimum 100 mm

A.1 Aluminium composite pipes

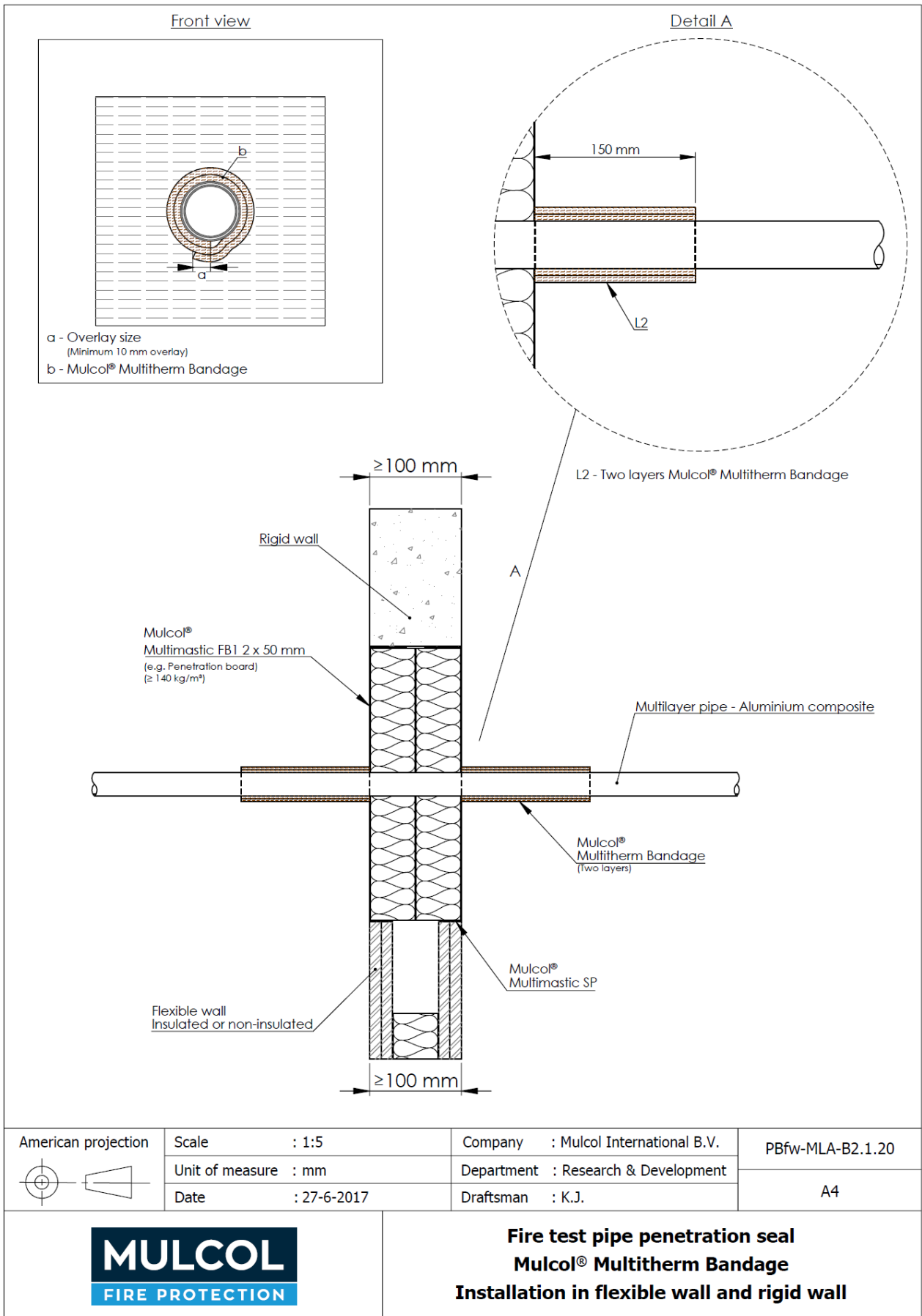
A.1.1 Aluminium composite pipes, with two layers Mulcol® Multitherm Bandage to both sides of the wall (LI 150)



Pipe material	Maximum Pipe diameter mm	Pipe wall thickness mm	Layers each face (LI 150)	Mulcol® Multimastic SP (both faces)	Classification*
Henco PE-Xc/AL/PE-Xc	≤ 16 / ≤ 20	2.0	two (see fig. 2 according to I.2.13)	Annular gap ≤ 20 mm / depth ≥ 10 mm	EI 120 U/C
Uponor PE-Xa Aqua pipe	≤ 25	3.5			
Henco PE-Xc/AL/PE-Xc	≤ 26	3.0			

* U/C pipe end configuration applies to C/C also

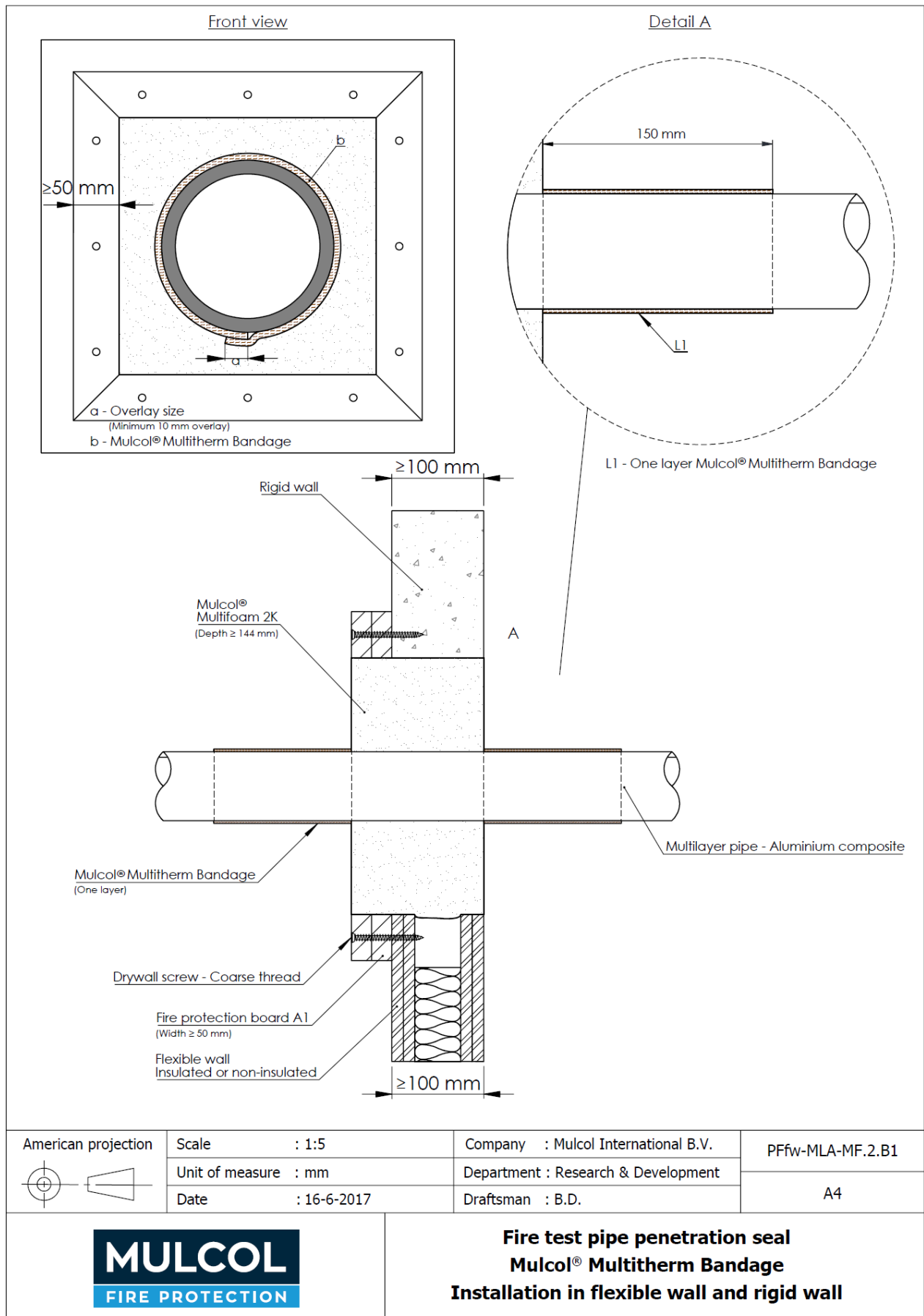
A.1.1.1 Aluminium composite pipes, with two layers Mulcol® Multitherm Bandage to both sides of the wall (LI 150) through Mulcol® Multimastic FB1.



Pipe material	Maximum Pipe diameter mm	Pipe wall thickness mm	Layers each face (LI 150)	Mulcol® Multimastic SP (both faces)	Classification*
Henco PE-Xc/AL/PE-Xc	≤ 16 / ≤ 20	2.0	two (see fig. 2 according to I.2.13)	Annular gap ≤ 20 mm / depth ≥ 10 mm	EI 120 U/C
Uponor PE-Xa Aqua pipe	≤ 25	3.5			
Henco PE-Xc/AL/PE-Xc	≤ 26	3.0			

* U/C pipe end configuration applies to C/C also

A.1.2 Aluminium composite pipes, with one layer Mulcol® Multitherm Bandage to both sides of the wall (LI 150) through Mulcol® Multifoam 2K.



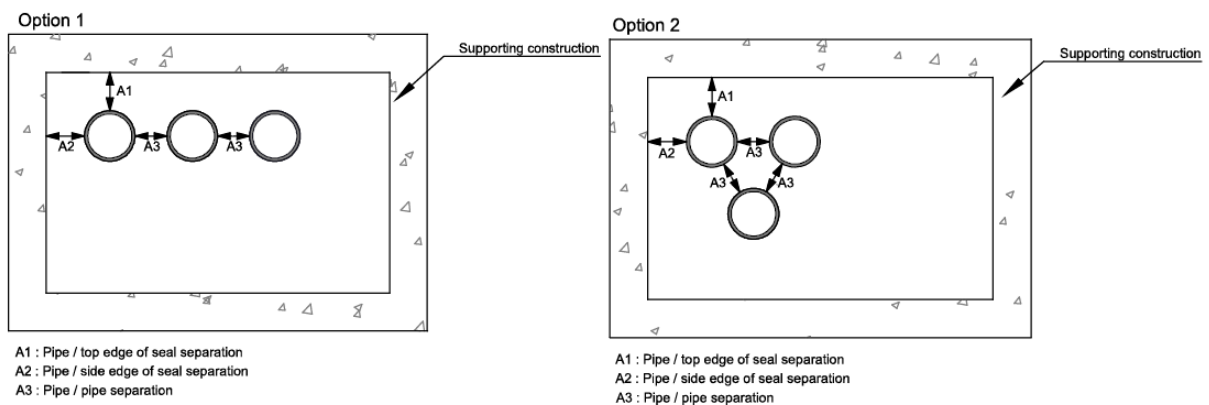
Pipe material	Maximum Pipe diameter mm	Pipe wall thickness mm	Layers each face (LI 150)	Classification*
Henco PE-Xc/AL/PE-Xc	$\leq 16 / \leq 20$	2.0	one (see fig. 1 according to I.2.13)	EI 120 U/C
Uponor PE-Xa Aqua pipe	≤ 25	3.5		EI 120 U/C
Henco PE-Xc/AL/PE-Xc	$\leq 26 / \leq 32$	3.0		EI 120 U/C
	≤ 40	3.5		E 120 U/C EI 90 U/C
Uponor PE-RT/AL/PE-RT	≤ 40	4.0		E 120 U/C EI 90 U/C
Henco PE-Xc/AL/PE-Xc	≤ 50	4.0		E 120 U/C EI 90 U/C
	≤ 63	4.5		E 120 U/C EI 90 U/C
	≤ 75	6.0		E 120 U/C EI 90 U/C

* U/C pipe end configuration applies to C/C also

In the Mulcol® Multifoam 2K penetration seal system the following minimum distances between the apertures edges and between the pipes shall be applied (distance A1 to A3 according to Figure E.1 of EN 1366-3:2009):

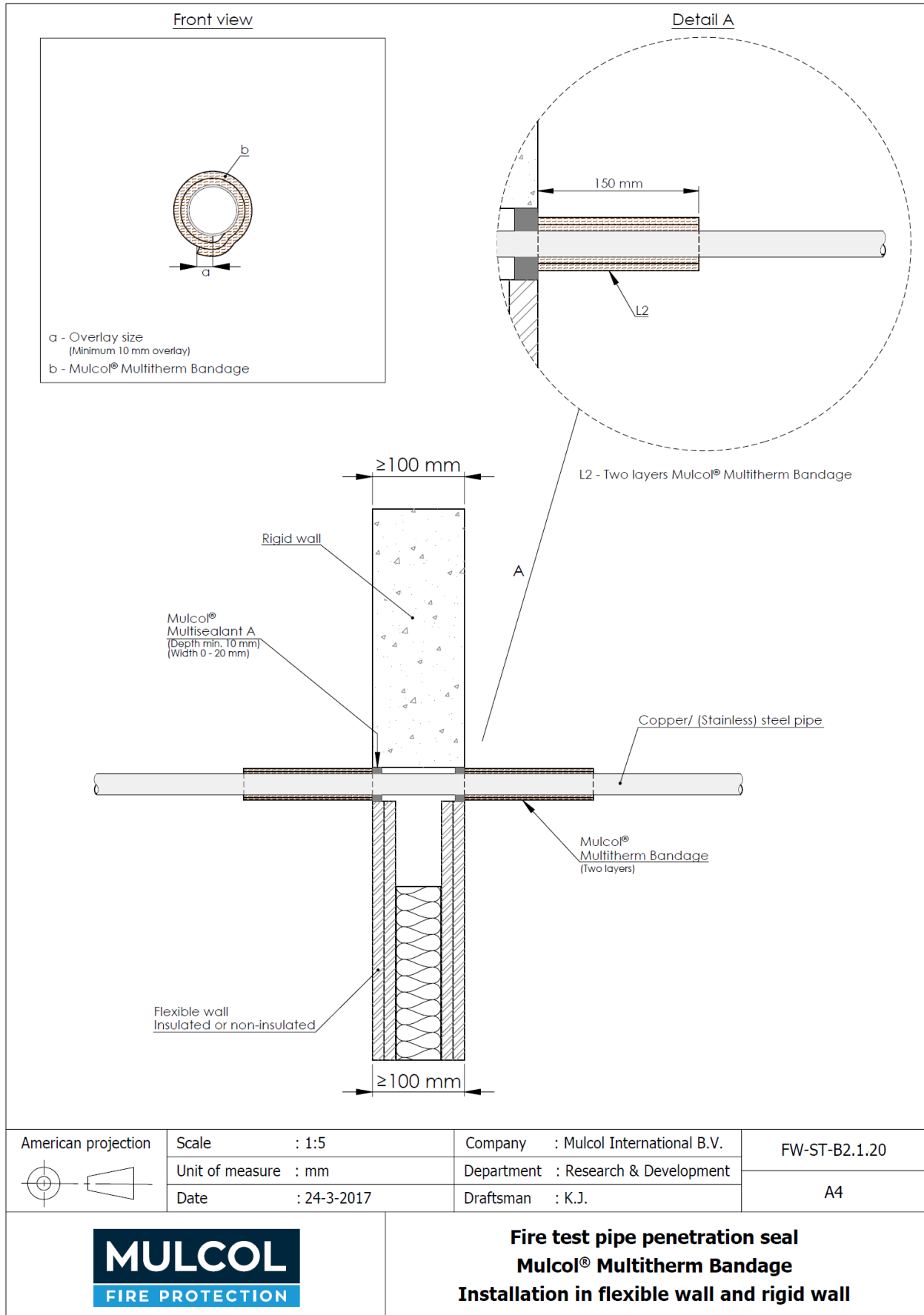
- distance A1 = 30 mm;
- distance A2 = 30 mm;
- distance A3 = 30 mm.

Figure E.1 out of the standard EN 1366-3:2009



A.2 Metal pipes

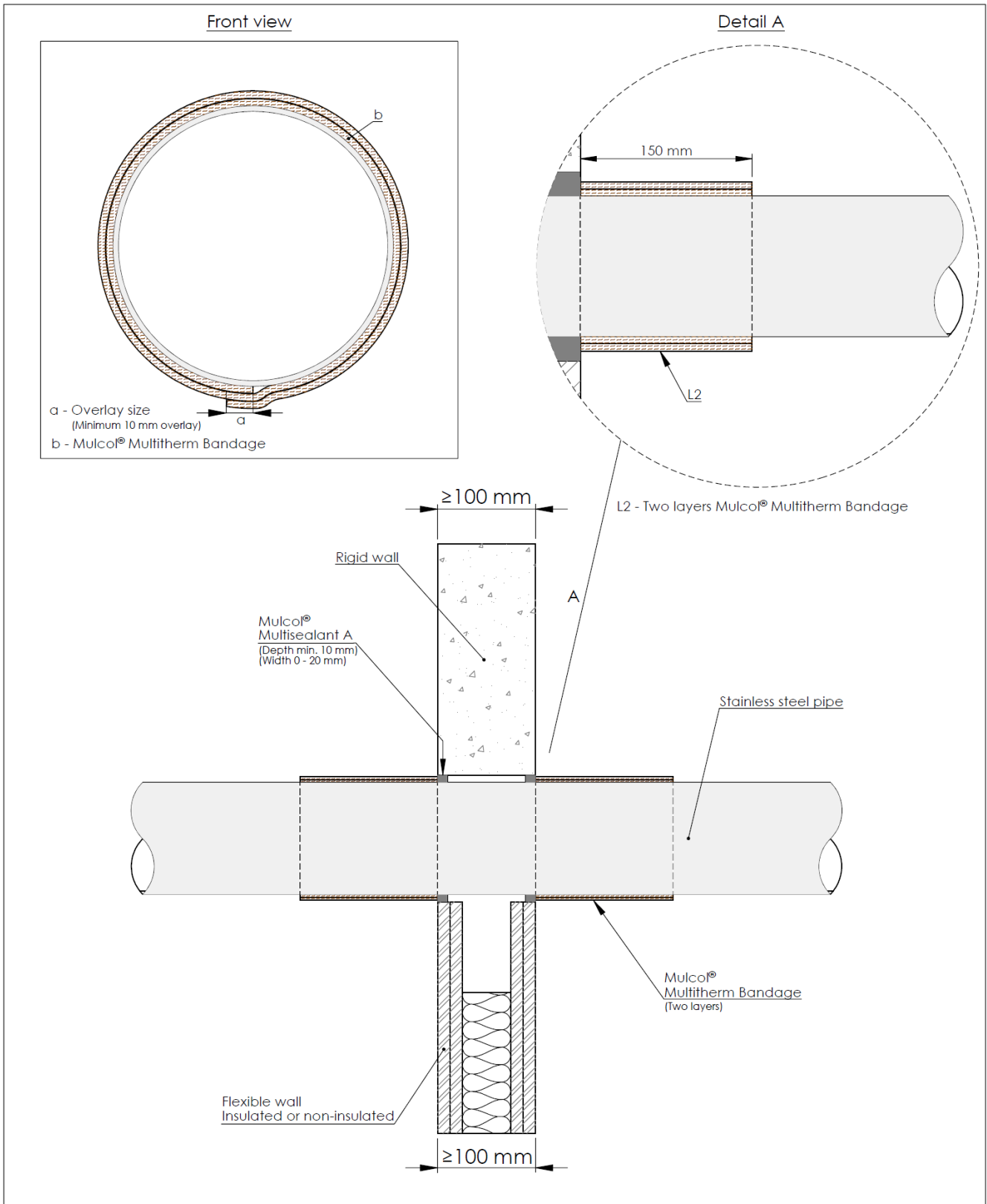
A.2.1 Metal pipes with two layers Mulcol® Multitherm Bandage to both sides of the wall (LI 150)



	Scale : 1:5	Company : Mulcol International B.V.	FW-ST-B2.1.20
	Unit of measure : mm	Department : Research & Development	A4
	Date : 24-3-2017	Draftsman : K.J.	



Fire test pipe penetration seal
Mulcol® Multitherm Bandage
Installation in flexible wall and rigid wall



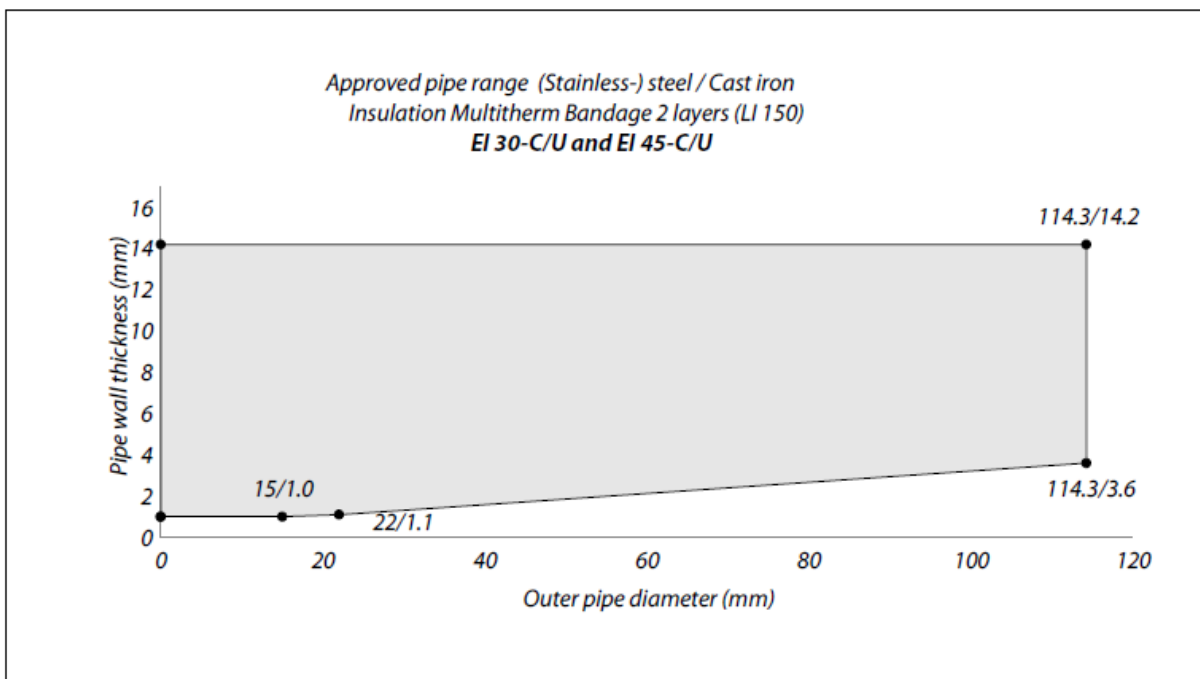
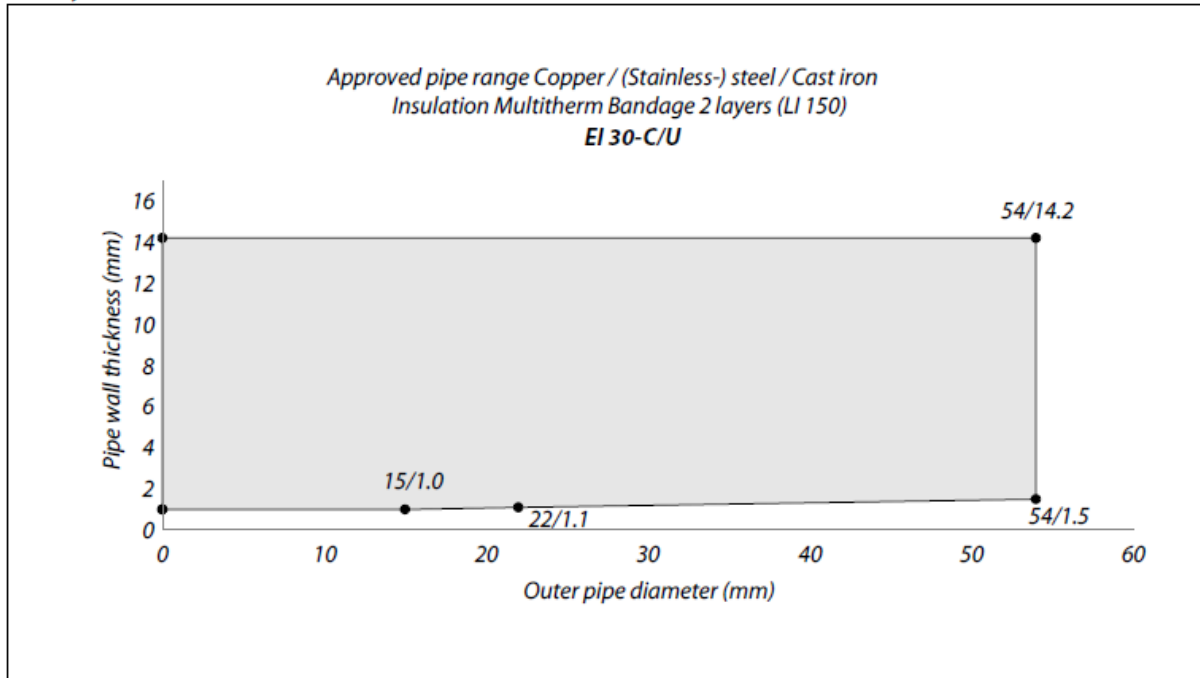
American projection 	Scale : 1:5	Company : Mulcol International B.V.	FW-ST-B2.1.20
	Unit of measure : mm	Department : Research & Development	
	Date : 11-4-2017	Draftsman : K.J.	A4

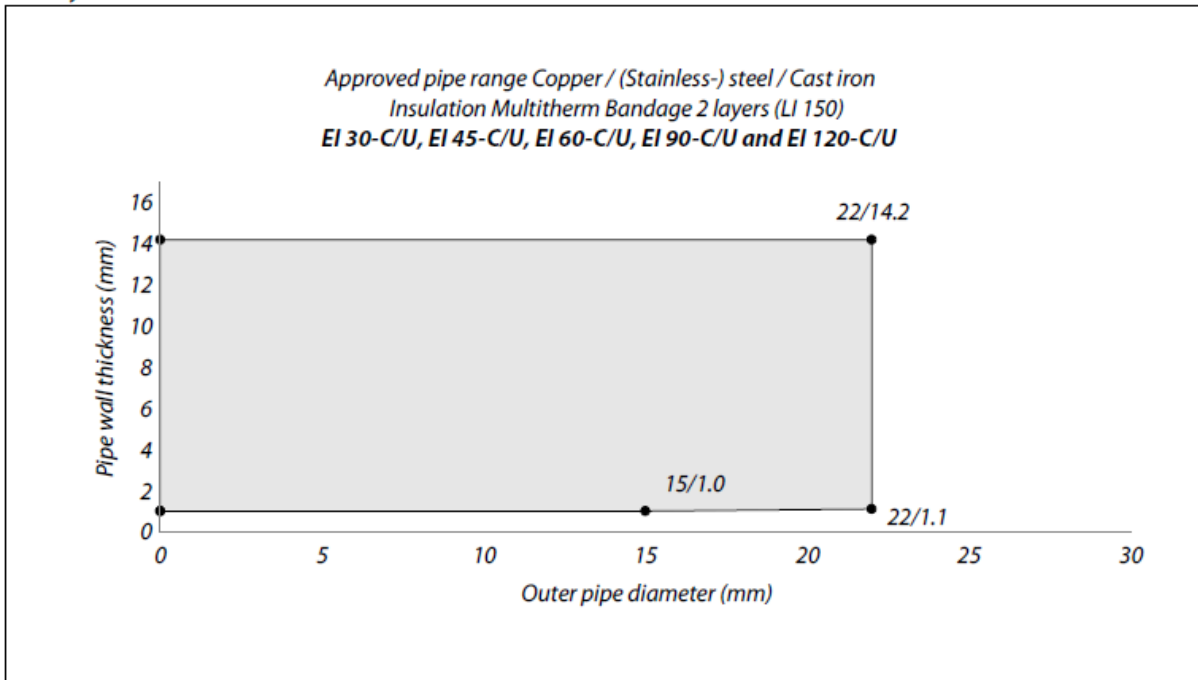


Fire test pipe penetration seal
Mulcol® Multitherm Bandage
Installation in flexible wall and rigid wall

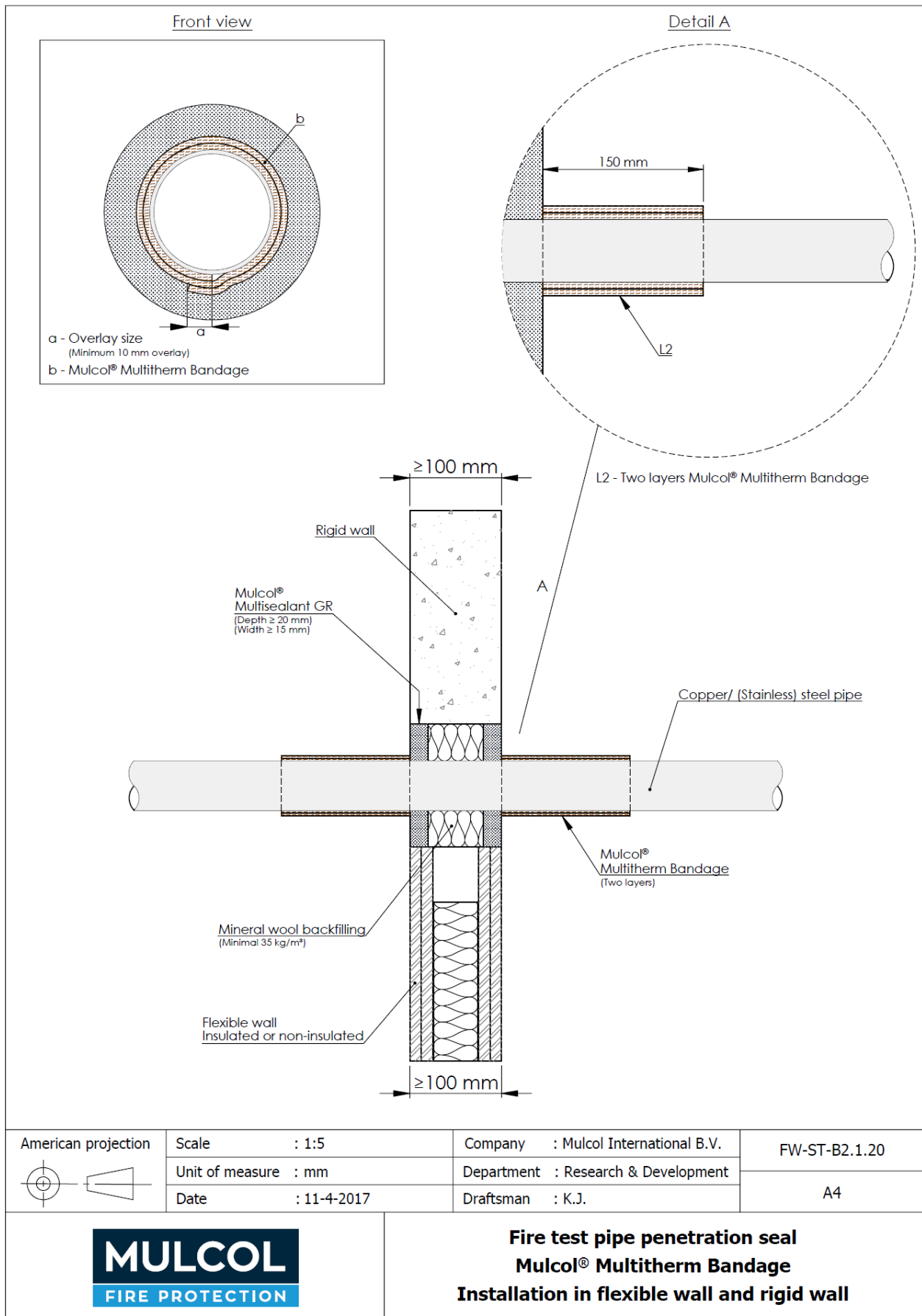
Pipe material	Maximum Pipe diameter mm	Pipe wall thickness mm	Layers each face (LI 150)	Mulcol® Multisealant A (both faces)	Classification*
Copper/ (Stainless) Steel / Cast Iron	15	1.0-14.2	two (see fig. 2 according to I.2.13)	Annular gap ≤ 20 mm / depth ≥ 10 mm	EI 120 C/U
	22	1.1-14.2			E 120 C/U EI 30 C/U
	54	1.5-14.2			E 120 C/U EI 45 C/U
(Stainless) Steel / Cast Iron	114.3	3.6-14.2			

* C/U pipe end configuration applies to C/C also



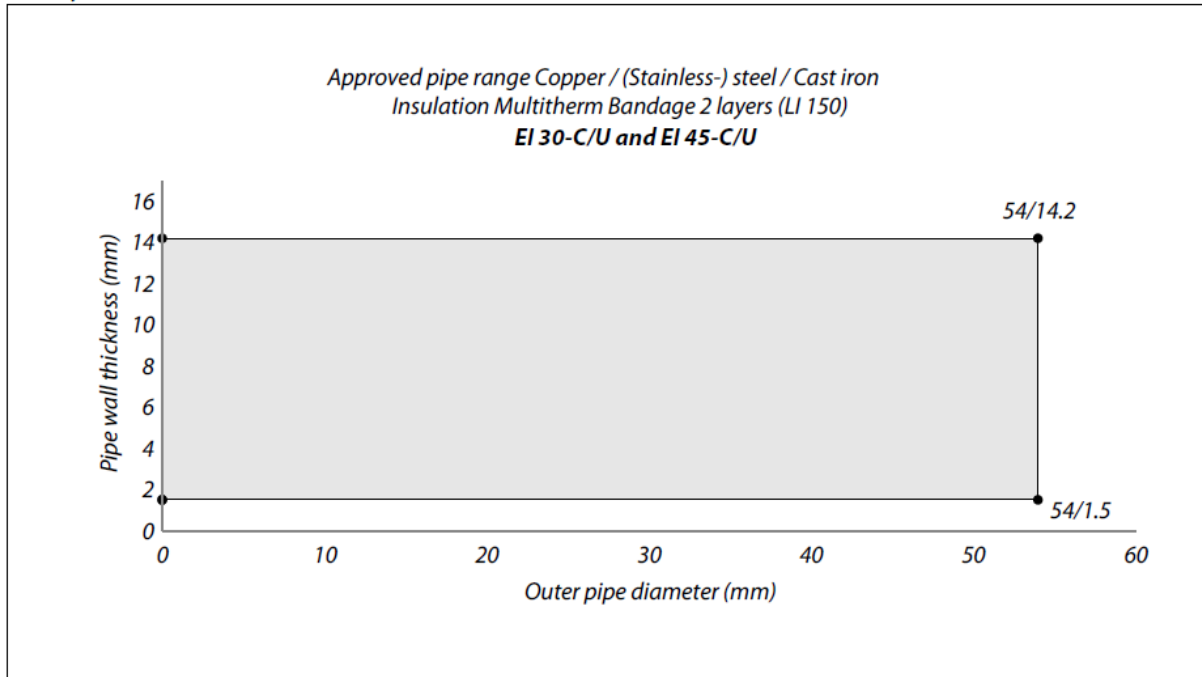


A.2.2 Metal pipes with two layers Mulcol® Multitherm Bandage to both sides of the wall (LI 150) with Mulcol® MULTISEALANT GR

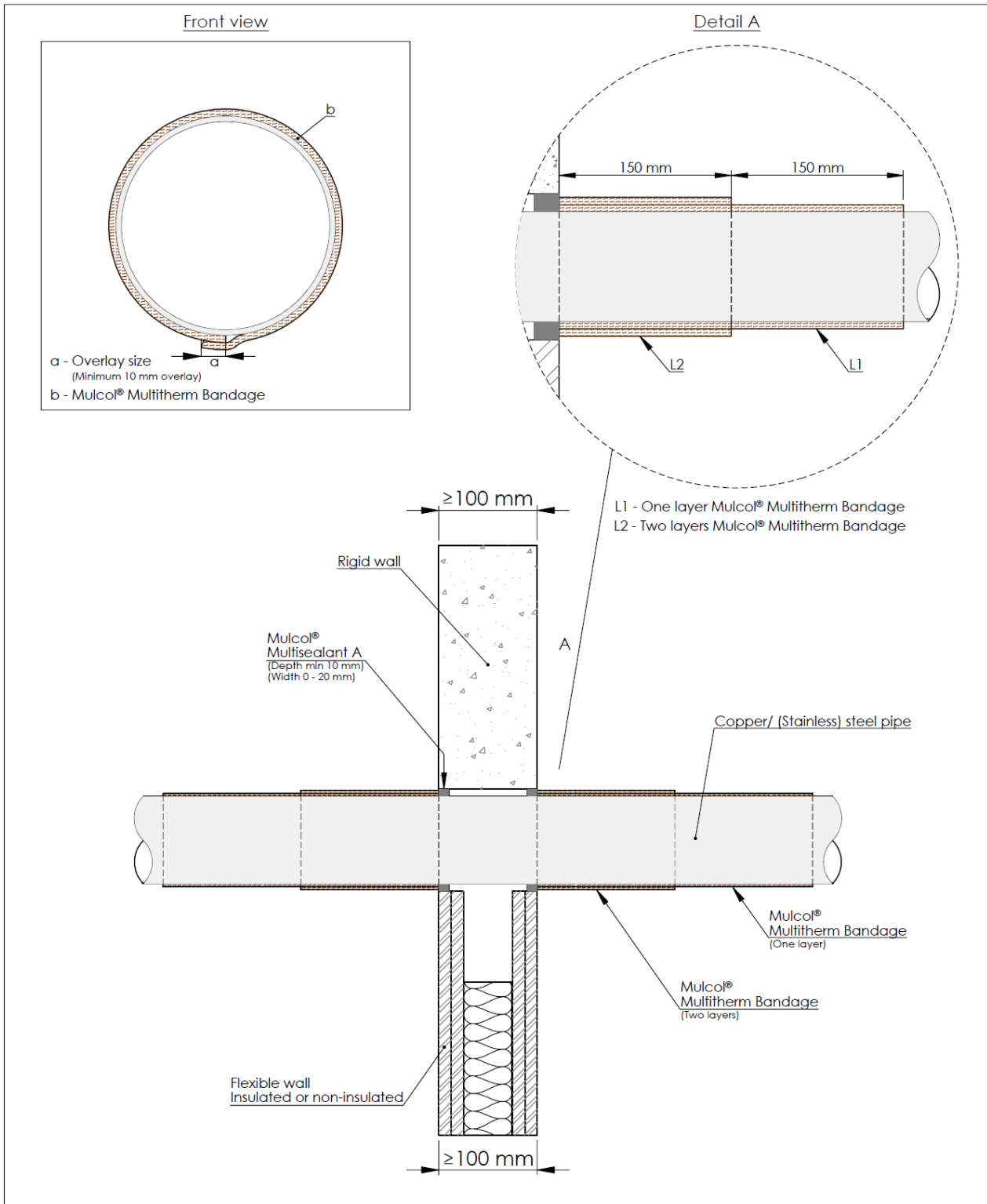


Pipe material	Maximum Pipe diameter mm	Pipe wall thickness mm	Layers each face (LI 150)	Annular Gap Mulcol® Multisealant GR (both faces)	Classification*
Copper/ (Stainless) Steel / Cast Iron	54	1.5-14.2	Two (see fig.2 according to I.2.13)	Flexible wall 15 to 50 mm / rigid wall 15 to 75 mm	E 120 C/U EI 45 C/U

* C/U pipe end configuration applies to C/C also



A.2.3 Metal pipes with two layers (LI 150) / one layer (LI 300) Mulcol® Multitherm Bandage to both sides of the wall



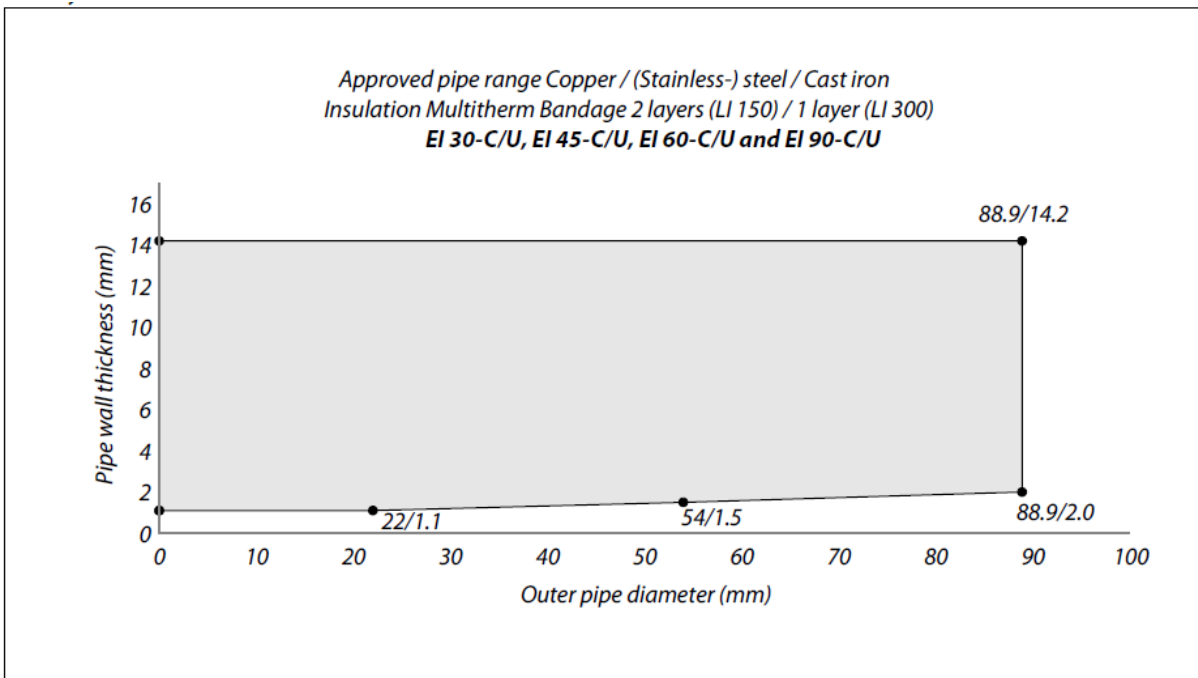
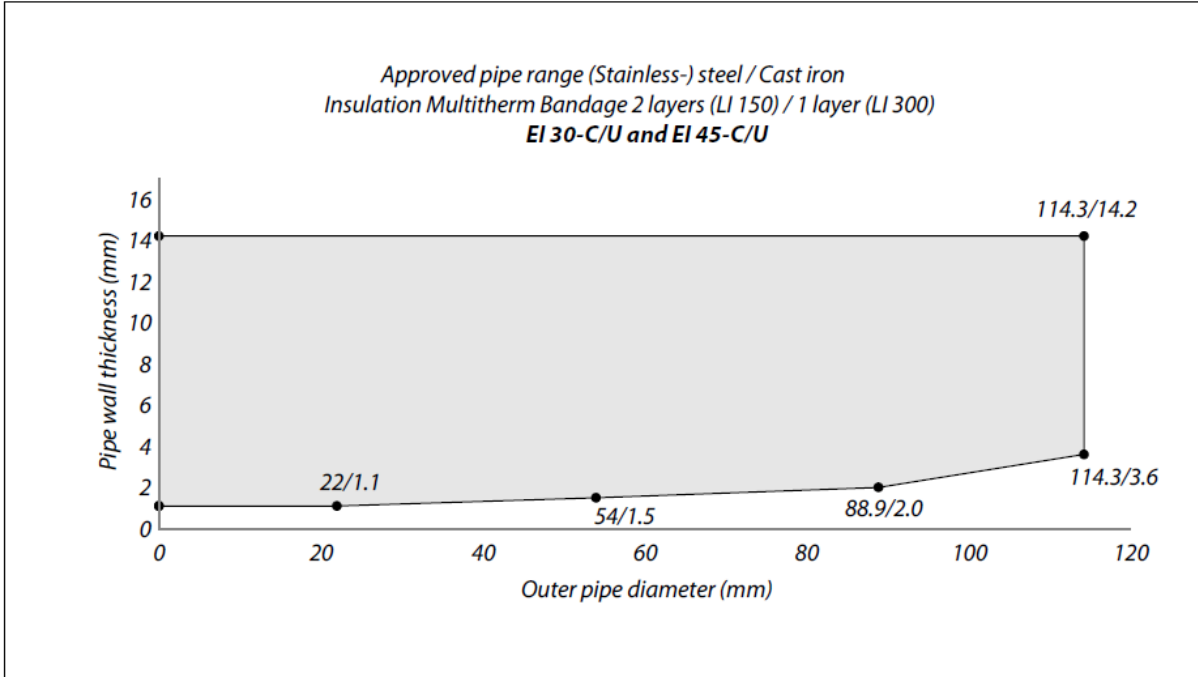
American projection 	Scale : 1:5	Company : Mulcol International B.V.	FW-ST-B2.3.21
	Unit of measure : mm	Department : Research & Development	
	Date : 11-4-2017	Draftsman : K.J.	A4



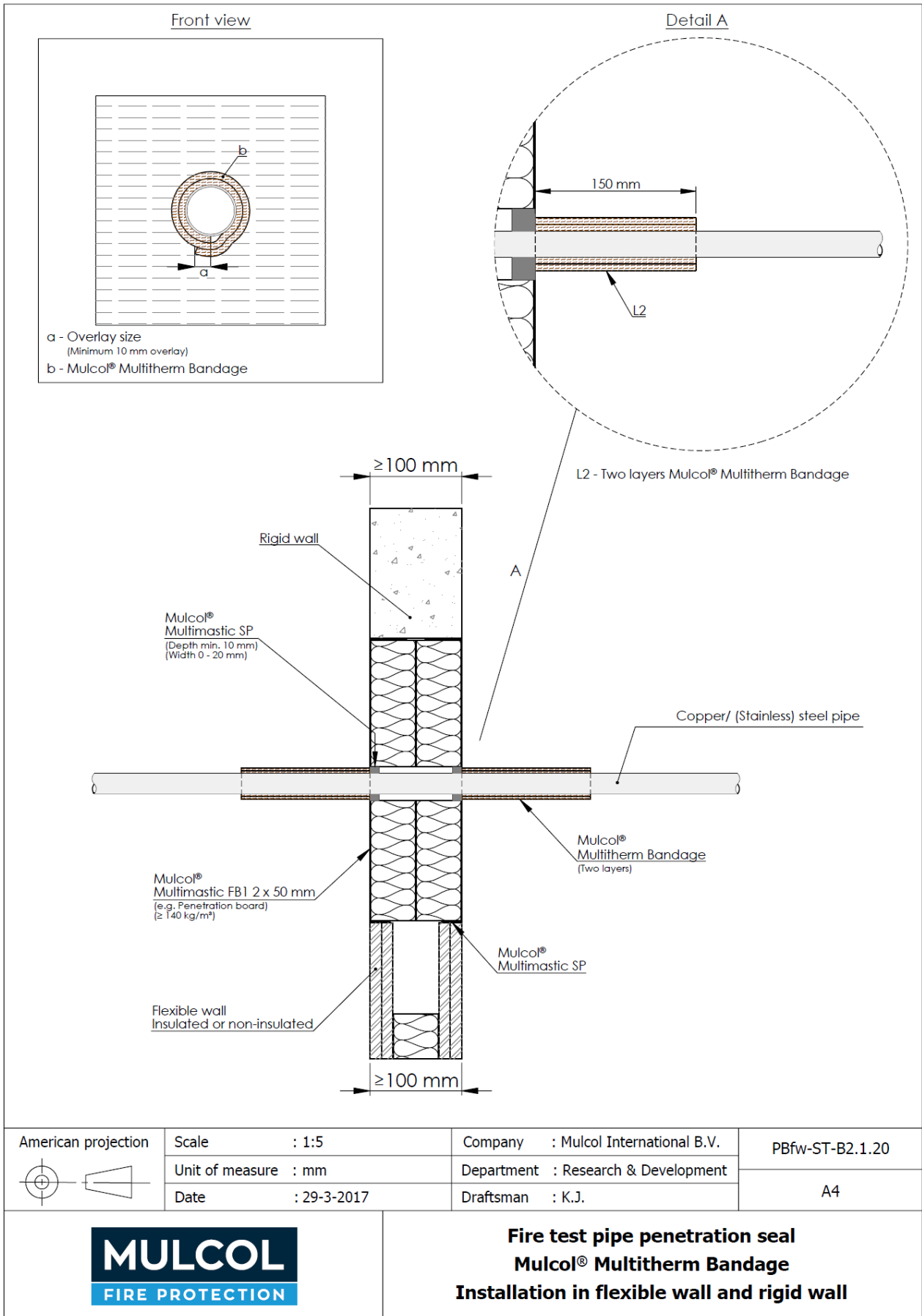
Fire test pipe penetration seal
Mulcol® Multitherm Bandage
Installation in flexible wall and rigid wall

Pipe material	Maximum Pipe diameter mm	Pipe wall thickness mm	Layers each face (LI 300)	Mulcol® Multisealant A (both faces)	Classification*
Copper/ (Stainless) Steel / Cast Iron	22	1.1-14.2	two/one (see fig. 4 according to I.2.13)	Annular gap ≤ 20 mm / depth ≥ 10 mm	E 120 C/U EI 90 C/U
	54	1.5-14.2			
	88.9	2.0-14.2			
(Stainless) Steel / Cast Iron	114.3	3.6-14.2			E 120 C/U EI 45 C/U

* C/U pipe end configuration applies to C/C also

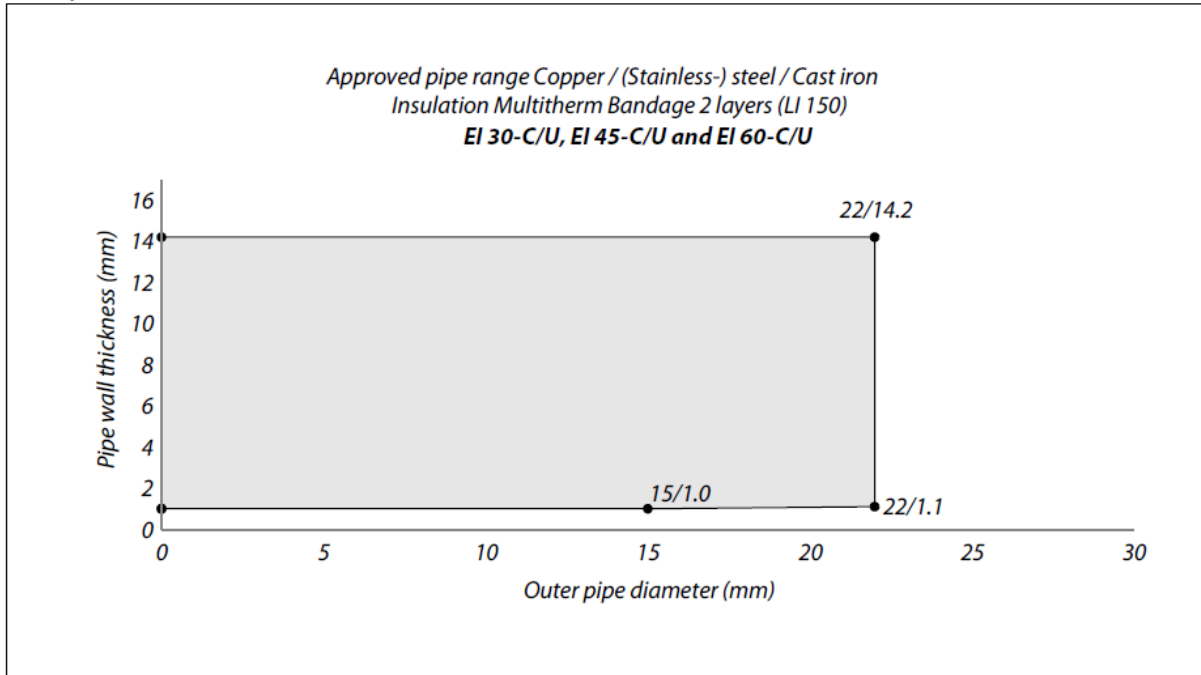


A.2.4 Metal pipes, , with two layers Mulcol® Multitherm Bandage to both sides of the wall (LI 150) through Mulcol® Multimastic FB1

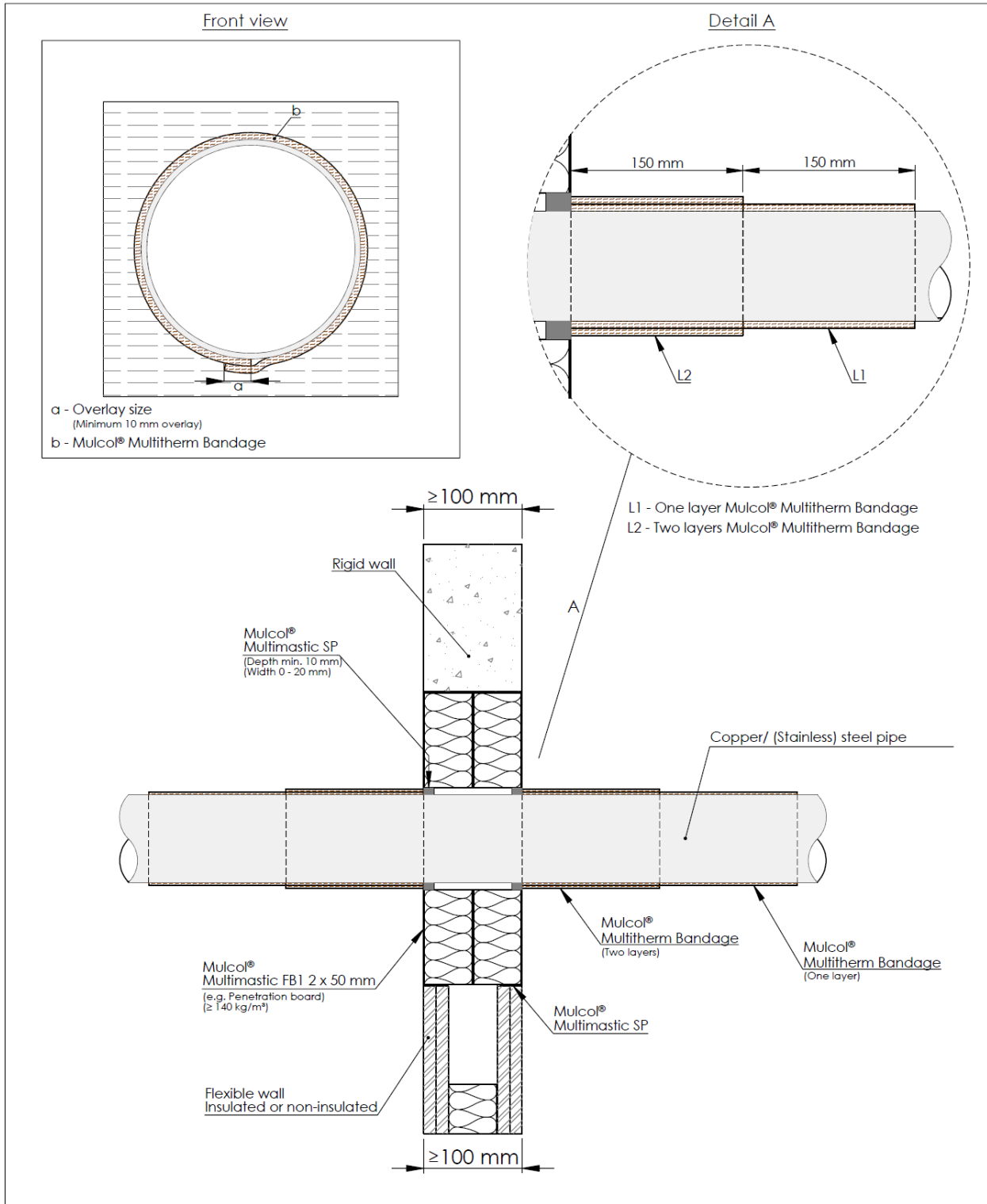


Pipe material	Maximum Pipe diameter mm	Pipe wall thickness mm	Layers each face (LI 150)	Mulcol® Multisealant SP (both faces)	Classification*
Copper/ (Stainless) Steel) / Cast Iron	15	1.0-14.2	Two (see fig. 2 according to I.2.13)	Annular gap ≤ 20 mm / depth ≥ 10 mm	E 120 C/U EI 60 C/U
	22	1.1-14.2			

* C/U pipe end configuration applies to C/C also



A.2.5 Metal pipes with two layers (LI 150) / one layer (LI 300) Mulcol® Multitherm Bandage to both sides of the wall, through Mulcol® Multimastic FB1



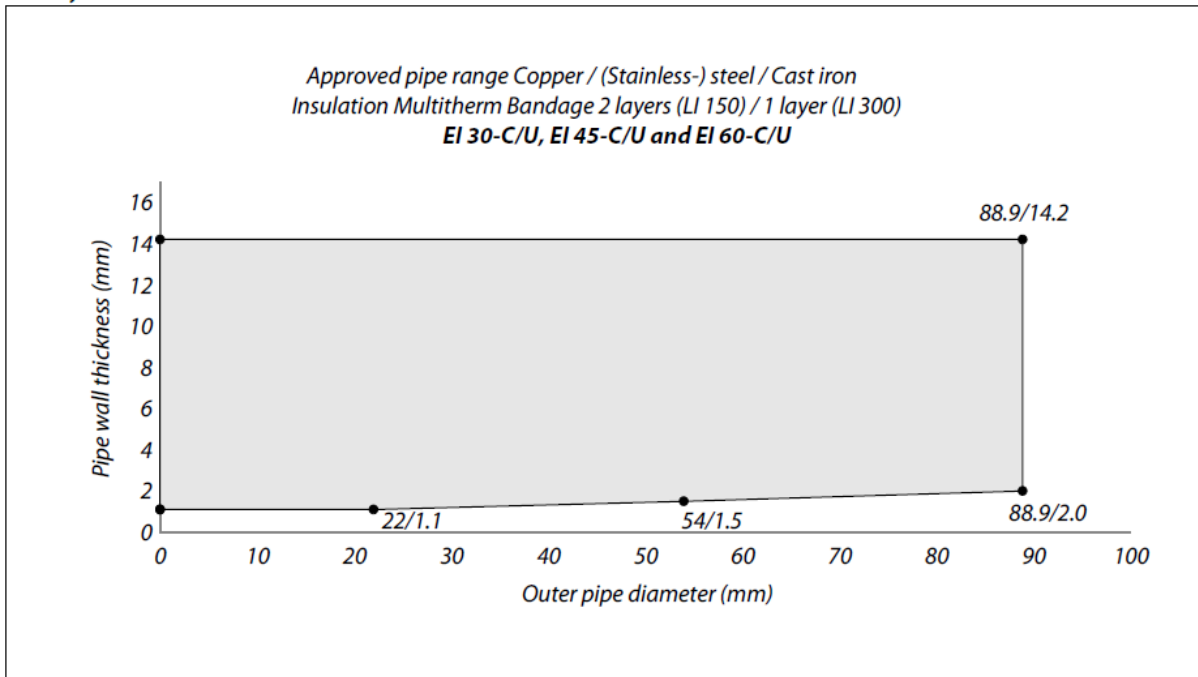
	Scale : 1:5	Company : Mulcol International B.V.	PBfw-ST-B2.3.21
	Unit of measure : mm	Department : Research & Development	
	Date : 31-3-2017	Draftsman : K.J.	A4



**Fire test pipe penetration seal
Mulcol® Multitherm Bandage
Installation in flexible wall and rigid wall**

Pipe material	Maximum Pipe diameter mm	Pipe wall thickness mm	Layers each face (LI 300)	Mulcol® Multisealant SP (both faces)	Classification*
Copper/ (Stainless) Steel / Cast Iron	22	1.1-14.2	two/one (see fig. 4 according to I.2.13)	Annular gap ≤ 20 mm / depth ≥ 10 mm	E 120 C/U EI 60 C/U
	54	1.5-14.2			
	88.9	2.0-14.2			

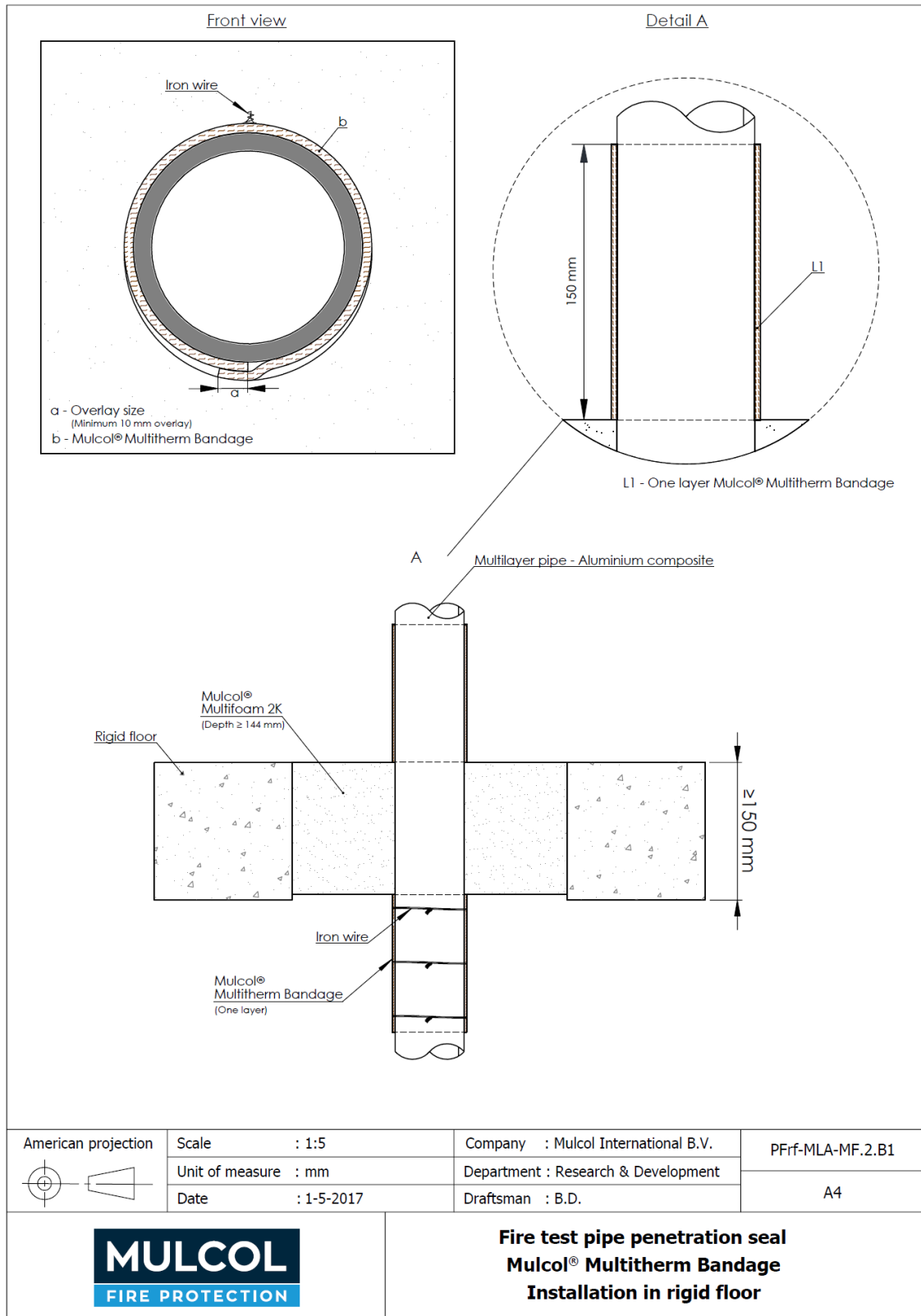
* C/U pipe end configuration applies to C/C also



Annex B - Resistance to Fire Classification – Mulcol® Multitherm Bandage - Rigid floor constructions according to Section 2 1) with floor thickness of minimum 150 mm

B.1 Aluminium composite pipes

B.1.1 Aluminium composite pipes with one layer Mulcol® Multitherm Bandage (LI 150) to both faces of the floor, through Mulcol® Multififoam 2K



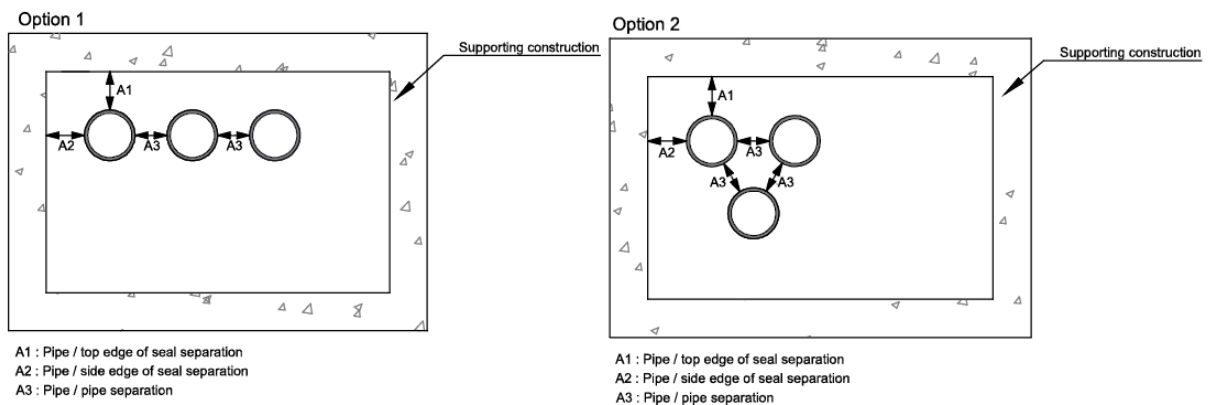
Pipe material	Maximum Pipe diameter mm	Pipe wall thickness mm	Layers each face (LI 150)	Additional components	Classification*
Henco PE-Xc/AL/PE-Xc	$\leq 16 / \leq 20$	2.0	one (see fig. 1 according to I.2.13)	3 x steel wire around wraps to underside	E 120 U/C EI 90 U/C
Uponor PE-Xa Aqua pipe	≤ 25	3.5			E 120 U/C EI 90 U/C
Henco PE-Xc/AL/PE-Xc	$\leq 26 / \leq 32$	3.0			E 120 U/C EI 90 U/C
	≤ 40	3.5			E 120 U/C EI 90 U/C
Uponor PE-RT/AL/PE-RT	≤ 40	4.0			E 120 U/C EI 90 U/C
Henco PE-Xc/AL/PE-Xc	≤ 50	4.0			E 120 U/C EI 90 U/C
	≤ 63	4.5			E 120 U/C EI 90 U/C
	≤ 75	6.0			E 120 U/C EI 90 U/C

* U/C pipe end configuration applies to C/C also

In the Mulcol® Multifoam 2K penetration seal system the following minimum distances between the apertures edges and between the pipes shall be applied (distance A1 to A3 according to Figure E.1 of EN 1366-3:2009):

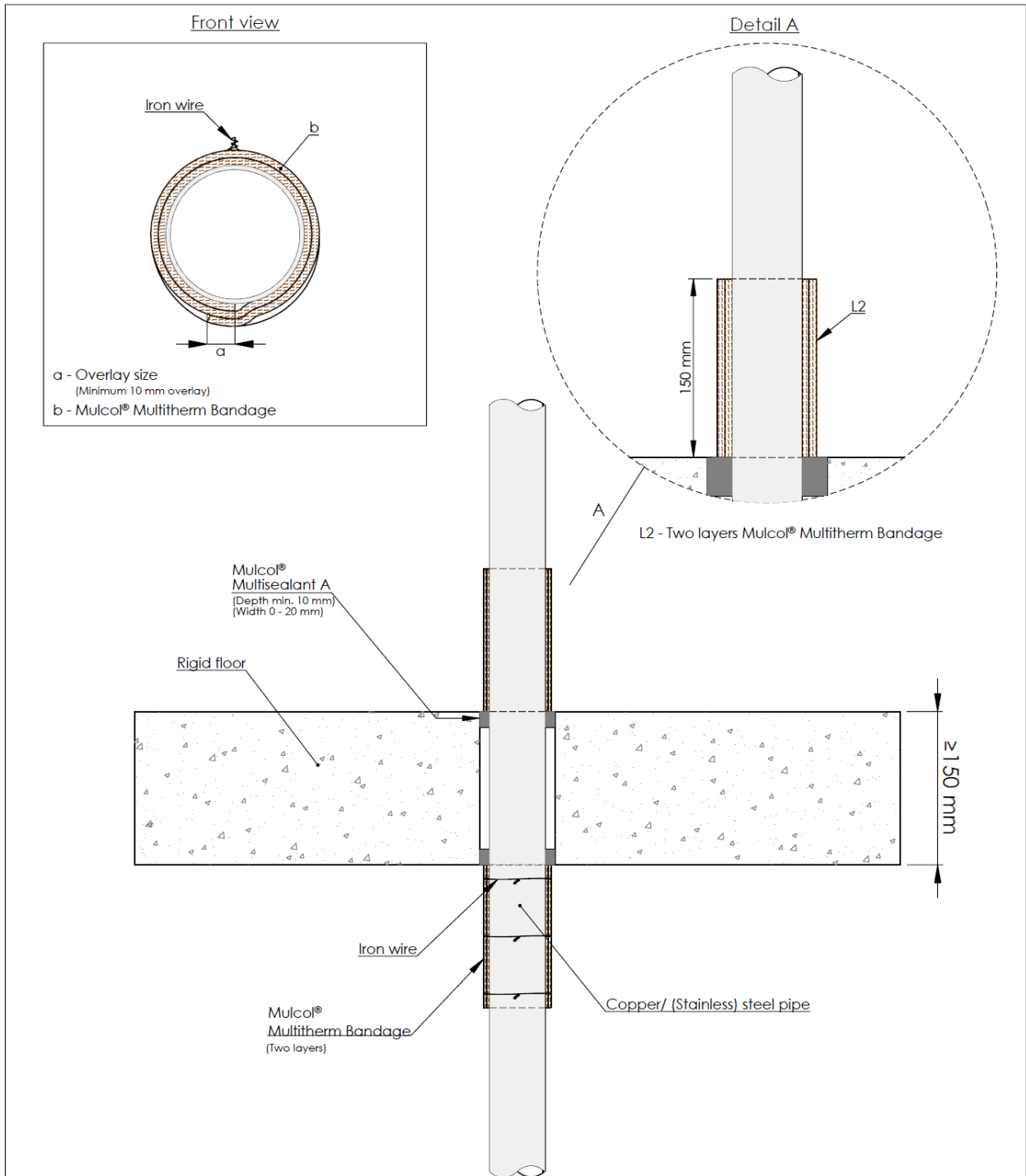
- distance A1 = 30 mm;
- distance A2 = 30 mm;
- distance A3 = 30 mm.

Figure E.1 out of the standard EN 1366-3:2009



B.2 Metal pipes

B.2.1 Metal pipes with two Mulcol® Multitherm Bandage to both faces of the floor (LI 150)



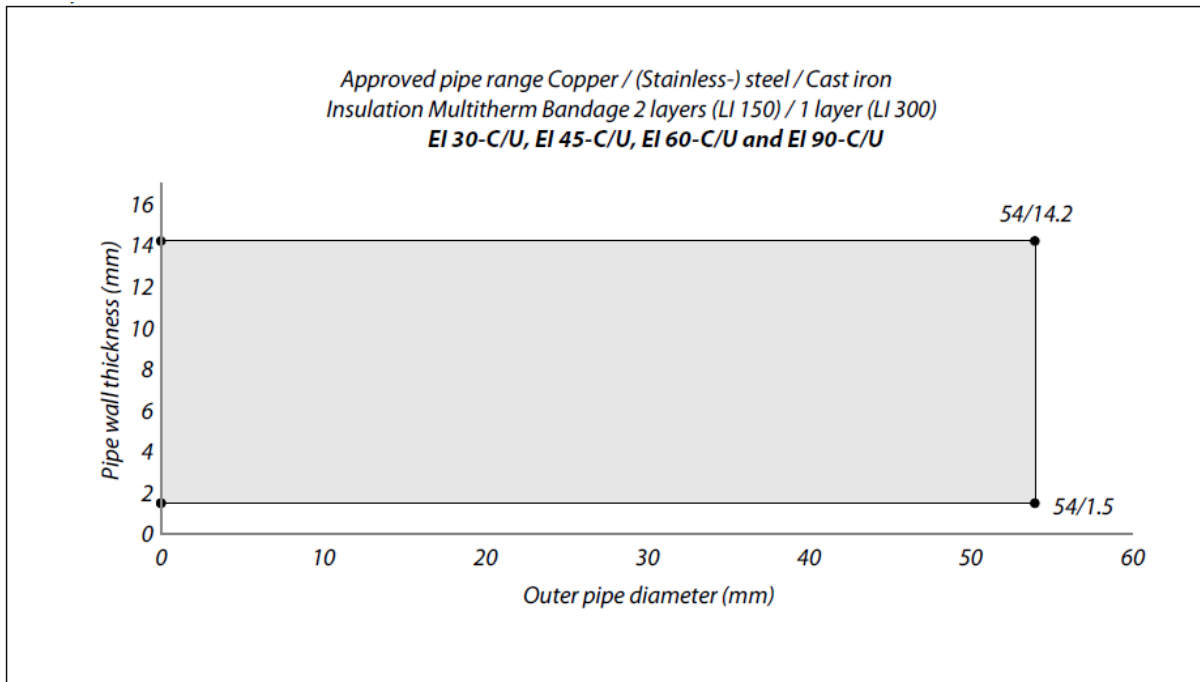
	Scale : 1:5	Company : Mulcol International B.V.	RF-ST-B2.1.20
	Unit of measure : mm	Department : Research & Development	
	Date : 26-6-2017	Draftsman : K.J.	A4



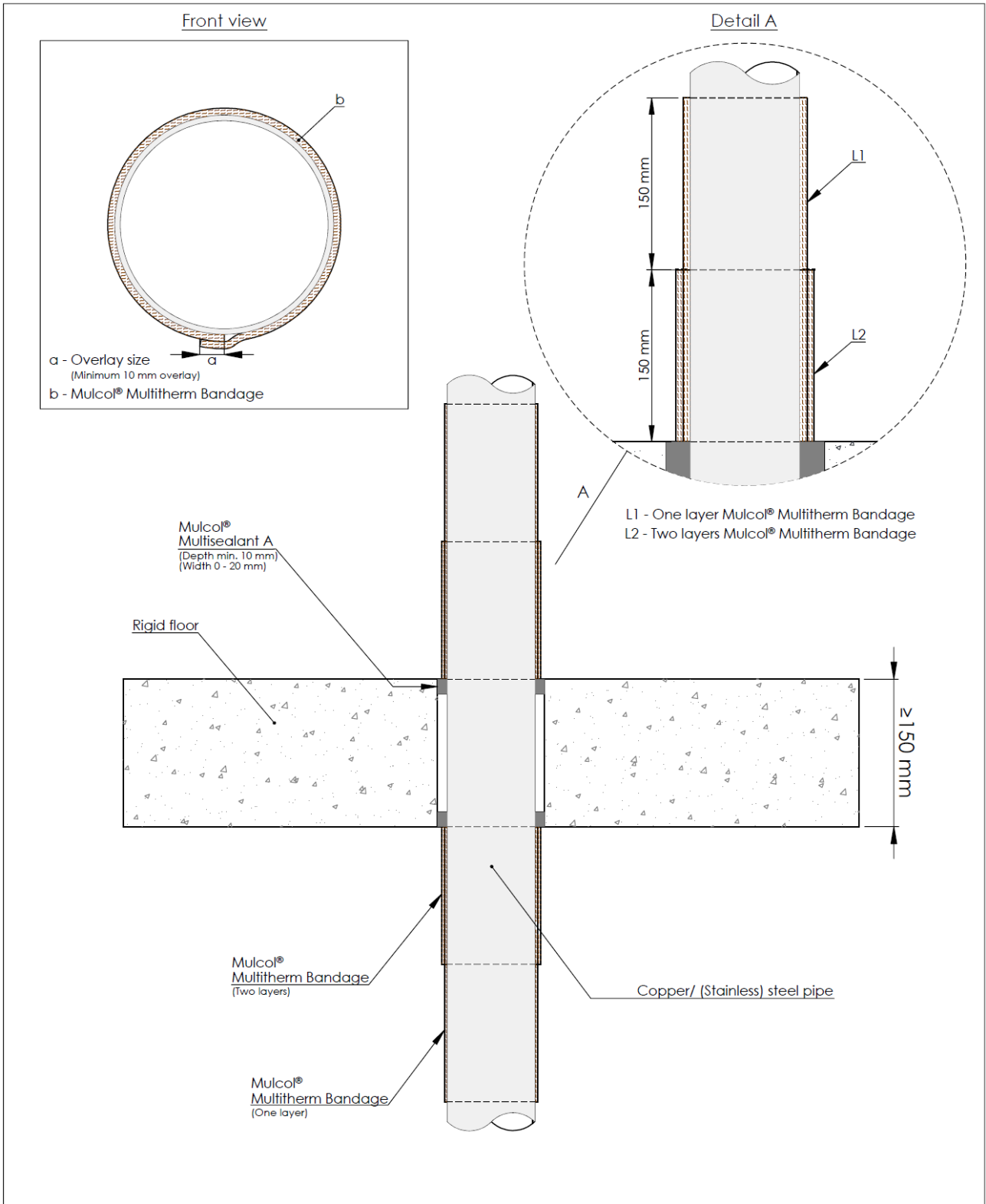
Fire test pipe penetration seal
Mulcol® Multitherm Bandage
Installation in rigid floor

Pipe material	Maximum Pipe diameter mm	Pipe wall thickness mm	Layers each face (LI 150)	Mulcol® Multisealant A (both faces)	Additional components	Classification*
Copper / (Stainless) steel / Cast iron	54	1.5 to 14.2	two (see fig. 4 according to I.2.13)	Annular gap \leq 20 mm / depth \geq 10 mm	3 x steel wire around wraps to underside	E 120 C/U EI 90 C/U

* C/U pipe end configuration applies to C/C also



B.2.2 Metal pipes with one (LI 300) / two (LI 150) Mulcol® Multitherm Bandage to both faces of the floor



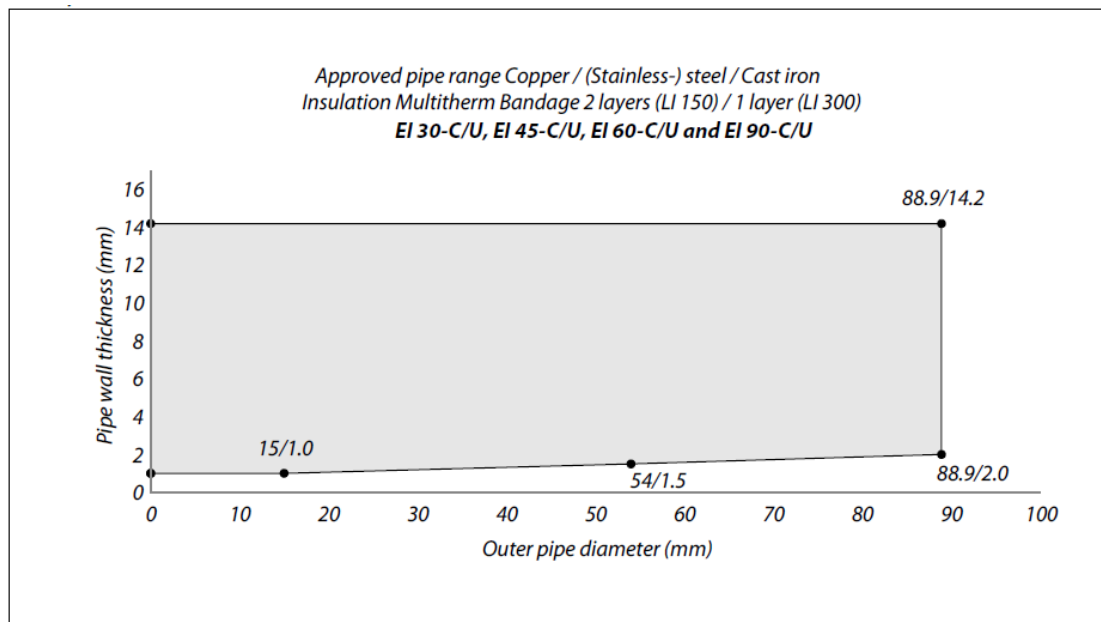
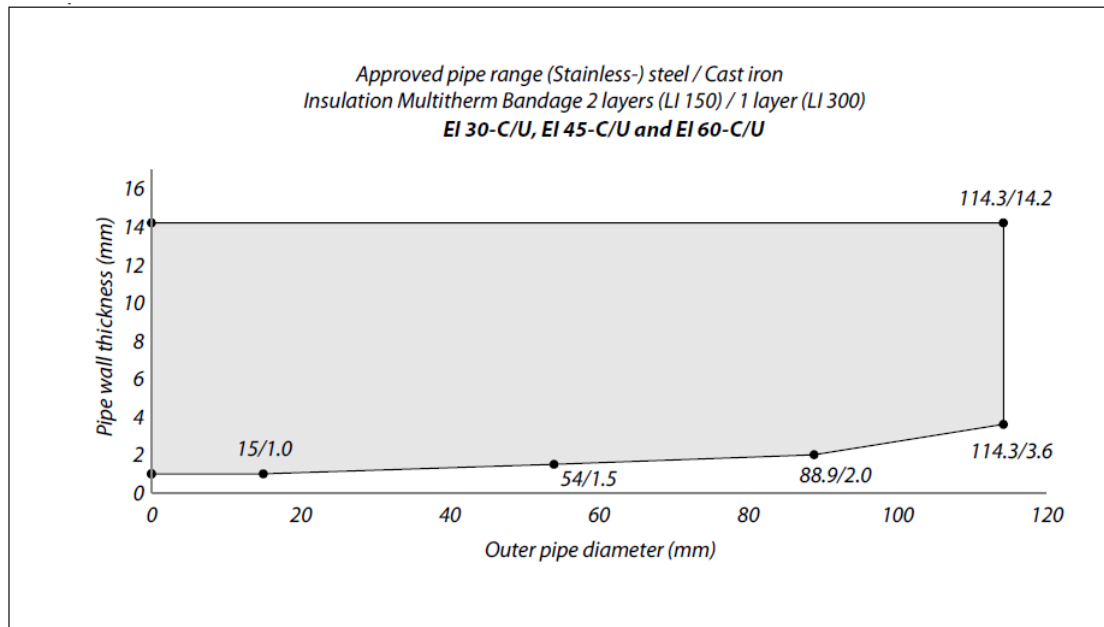
American projection 	Scale : 1:5	Company : Mulcol International B.V.	RF-ST-B2.3.21
	Unit of measure : mm	Department : Research & Development	
	Date : 23-3-2017	Draftsman : K.J.	A4



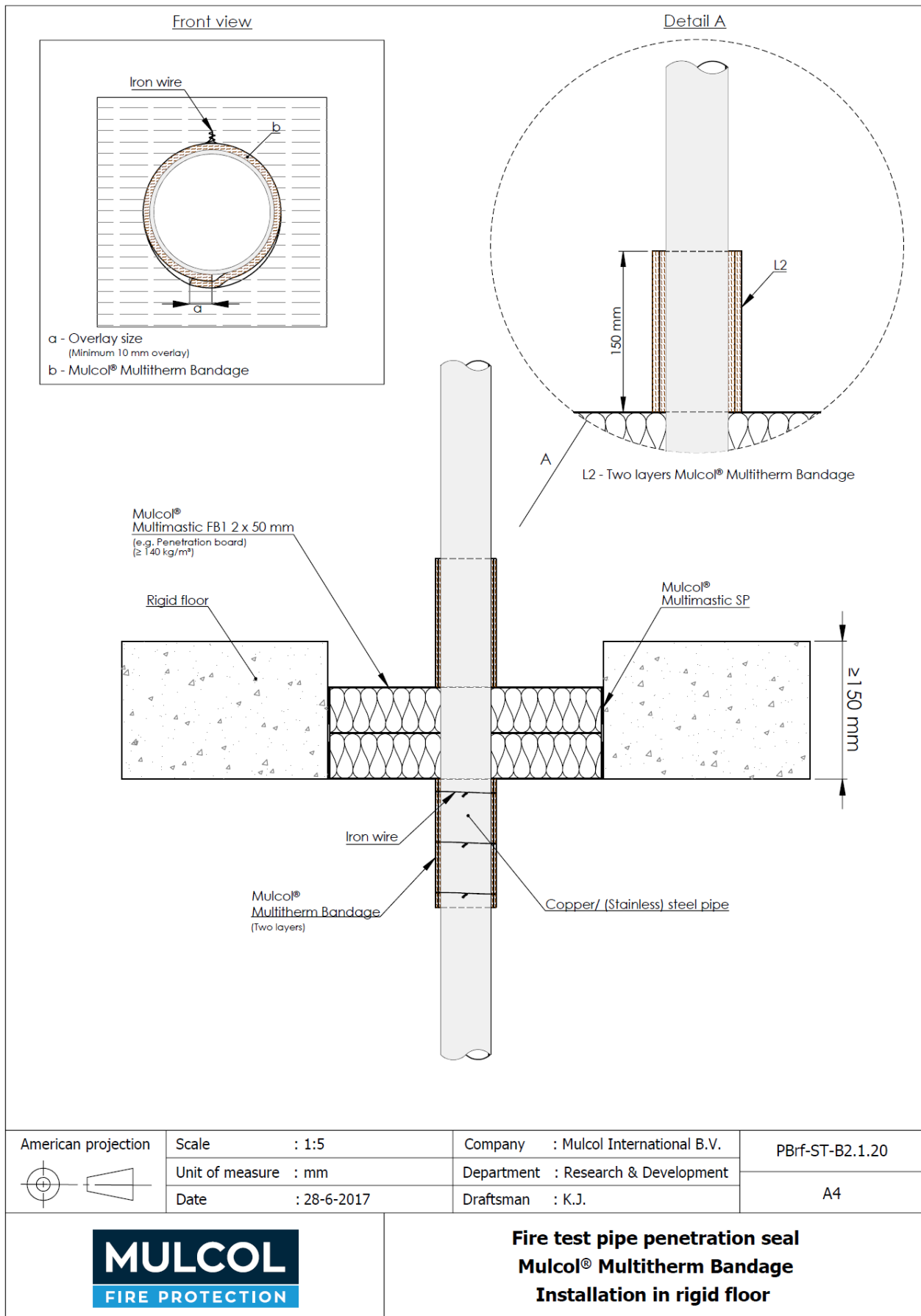
**Fire test pipe penetration seal
Mulcol® Multitherm Bandage
Installation in rigid floor**

Pipe material	Maximum Pipe diameter mm	Pipe wall thickness mm	Layers each face (LI 300)	Mulcol® Multisealant A (both faces)	Additional components	Classification*
Copper/ (Stainless) Steel / Cast Iron	15	1.0-14.2	one/two (see fig.4 according to I.2.13)	Annular gap ≤ 20 mm / depth ≥ 10 mm	N/A	EI 60 C/U
	54	1.5-14.2				
	88.9	2.0-14.2				
	15	1.0-14.2			6 x steel wire around wraps to underside	E 120 C/U EI 90 C/U
	54	1.5-14.2				
	88.9	2.0-14.2				
(Stainless) Steel / Cast Iron	114.3	3.6-14.2			6 x steel wire around wraps to underside	E 120 C/U EI 60 C/U

* C/U pipe end configuration applies to C/C also

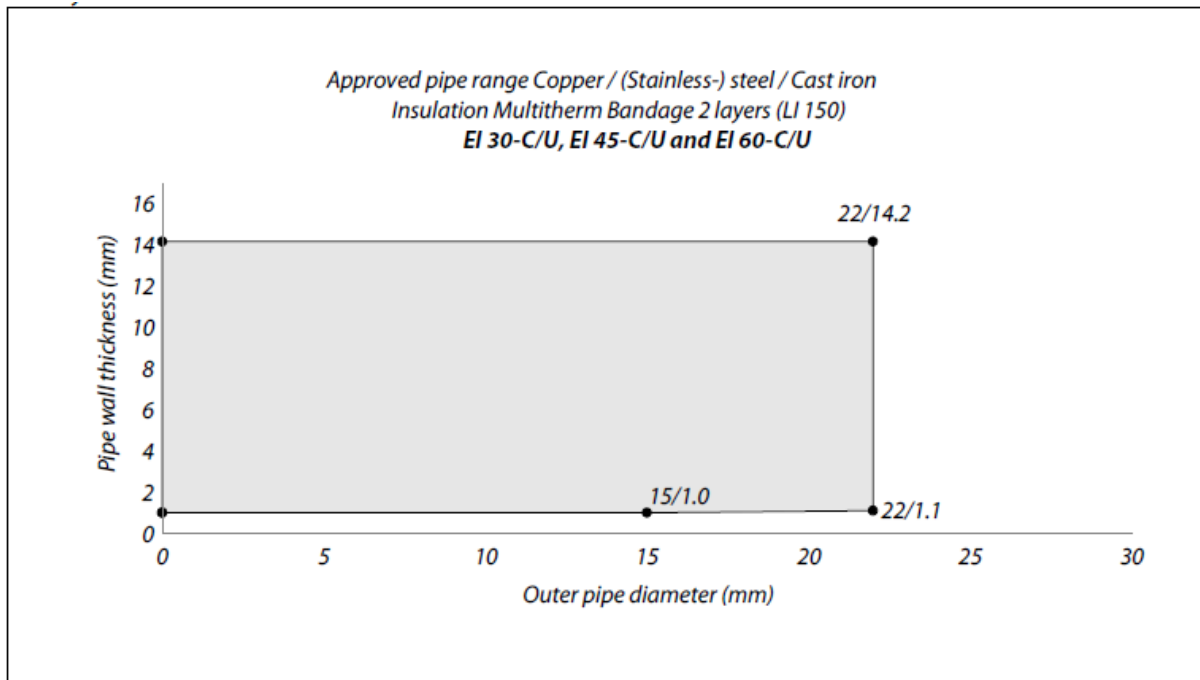


B.2.3 Metal pipes with two Mulcol® Multitherm Bandage (LI 150) to both faces of the floor, through Mulcol® Multimastic FB1

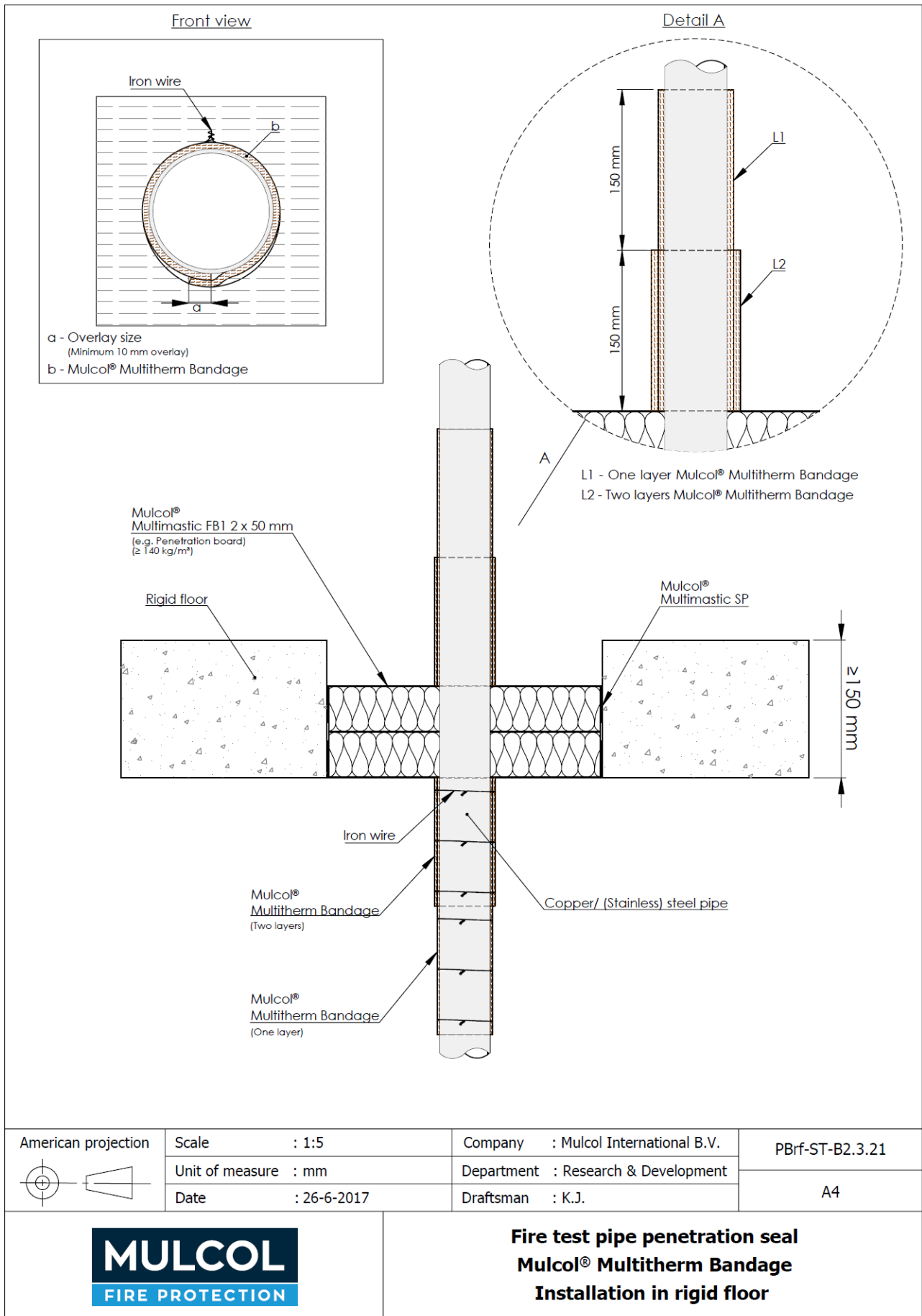


Pipe material	Maximum Pipe diameter mm	Pipe wall thickness mm	Layers each face (LI 150)	Mulcol® Multisealant SP (both faces)	Additional Components	Classification*
Copper / (Stainless) steel / Cast iron	15	1.0 to 14.2	two (see fig. 2 according to I.2.13)	Annular gap ≤ 20 mm / depth ≥ 10 mm	3 x steel wire around wraps to underside	E 120 C/U EI 60 C/U
	22	1.1 to 14.2				

* C/U pipe end configuration applies to C/C also



B.2.4 Metal pipes with one (LI 300) / two (LI 150) Mulcol® Multitherm Bandage to both faces of the floor, through Mulcol® Multimastic FB1



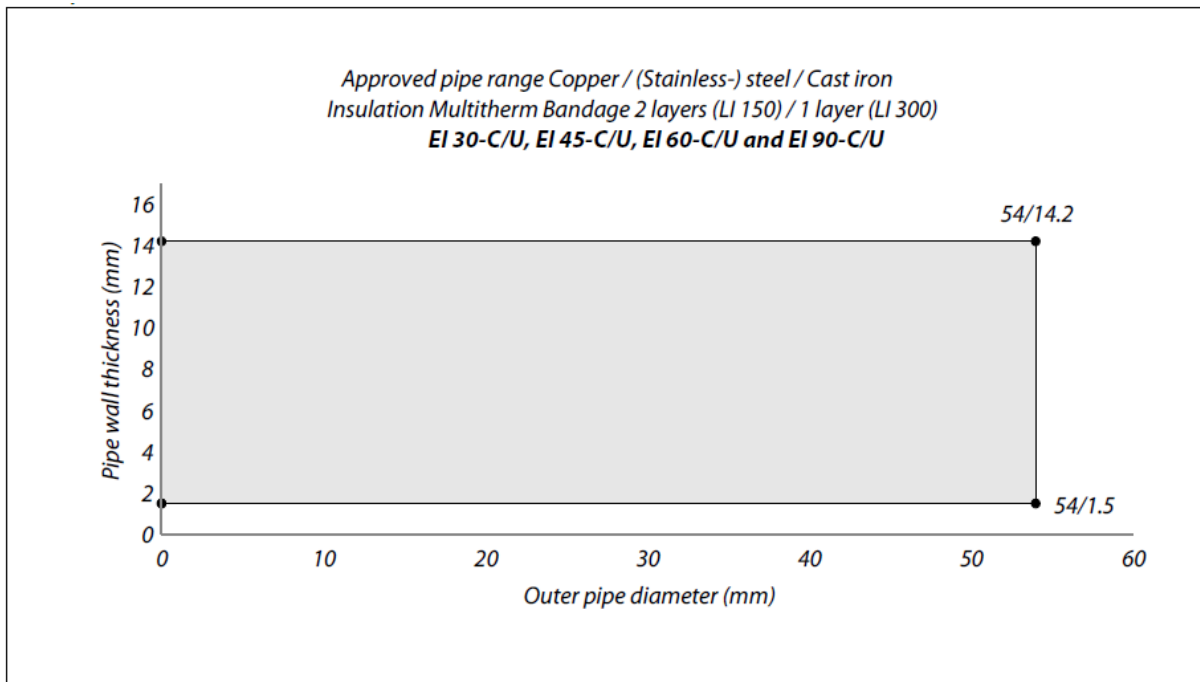
	Scale : 1:5	Company : Mulcol International B.V.	PBrf-ST-B2.3.21
	Unit of measure : mm	Department : Research & Development	
	Date : 26-6-2017	Draftsman : K.J.	A4



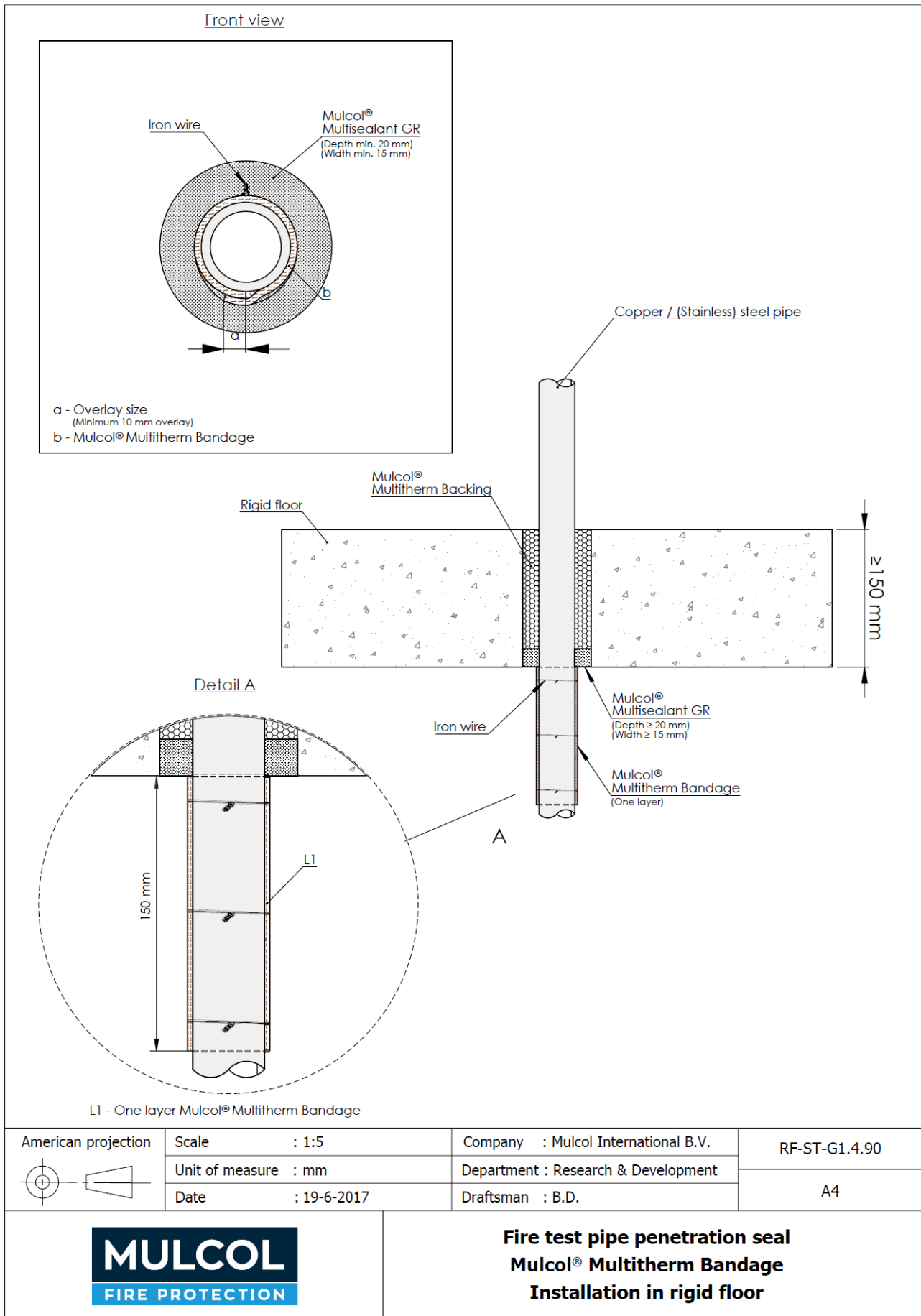
**Fire test pipe penetration seal
Mulcol® Multitherm Bandage
Installation in rigid floor**

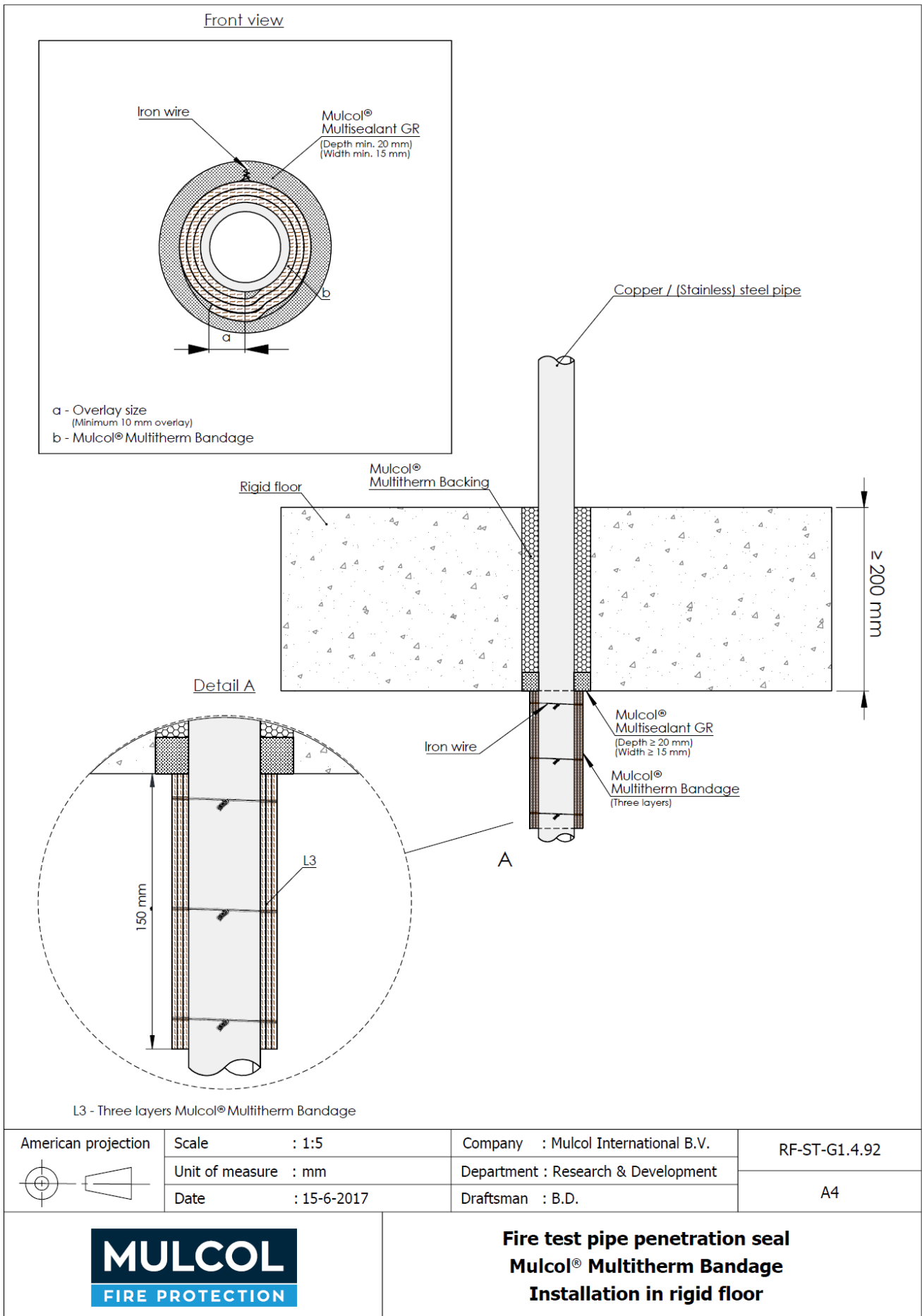
Pipe material	Maximum Pipe diameter mm	Pipe wall thickness mm	Layers each face (LI 300)	Mulcol® Multisealant SP (both faces)	Additional Components	Classification*
Copper / (Stainless) steel / Cast iron	54	1.5 to 14.2	one/two (see fig.4 according to I.2.13)	Annular gap ≤ 20 mm / depth ≥ 10 mm	N/A	EI 60 C/U
					6 x steel wire around wraps to underside	EI 90 C/U

* C/U pipe end configuration applies to C/C also



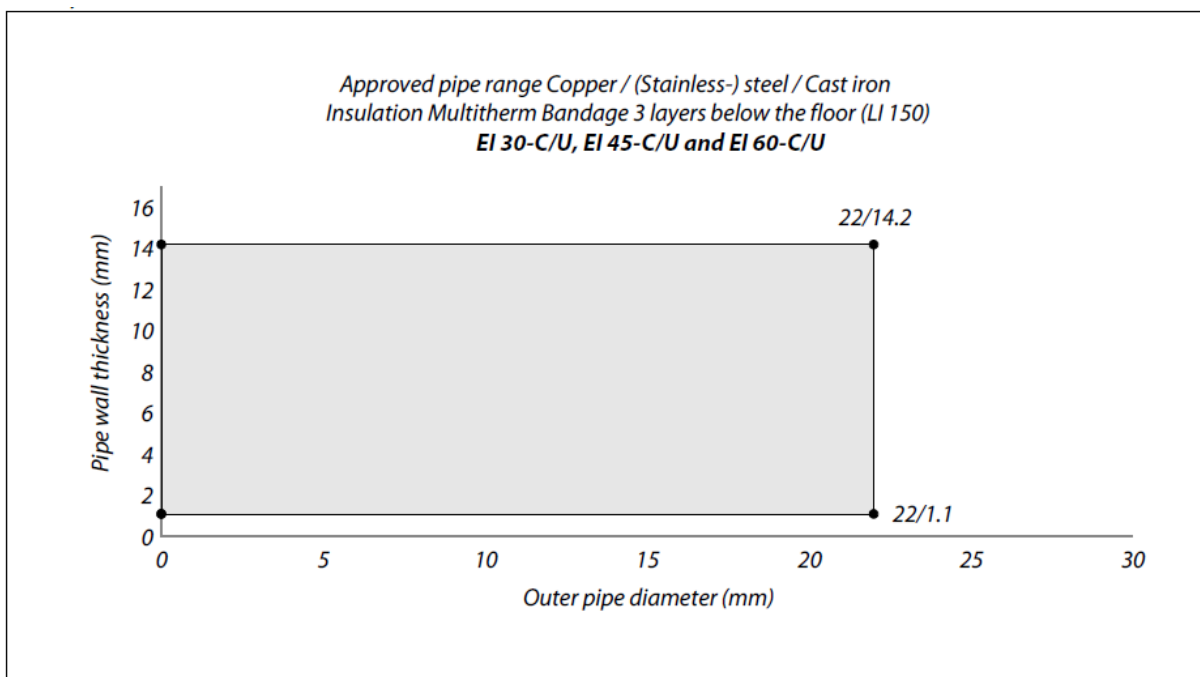
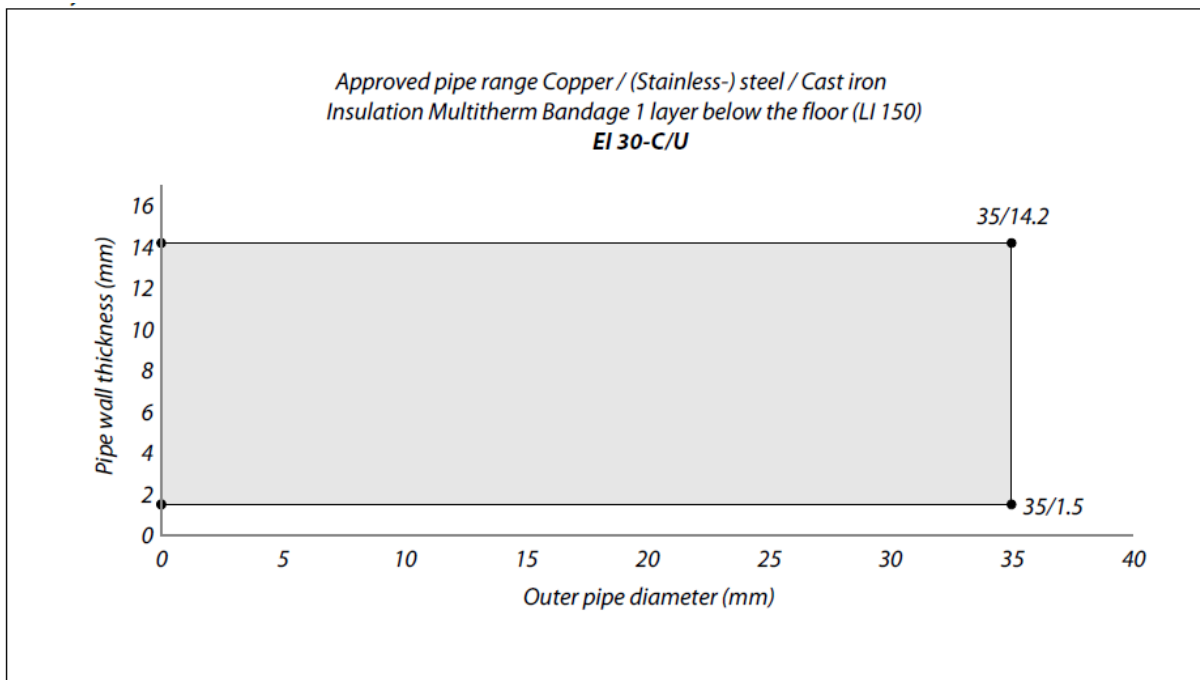
B.2.5 Metal pipes with one or three Mulcol® Multitherm Bandage below the floor, with Mulcol® MULTISEALANT GR



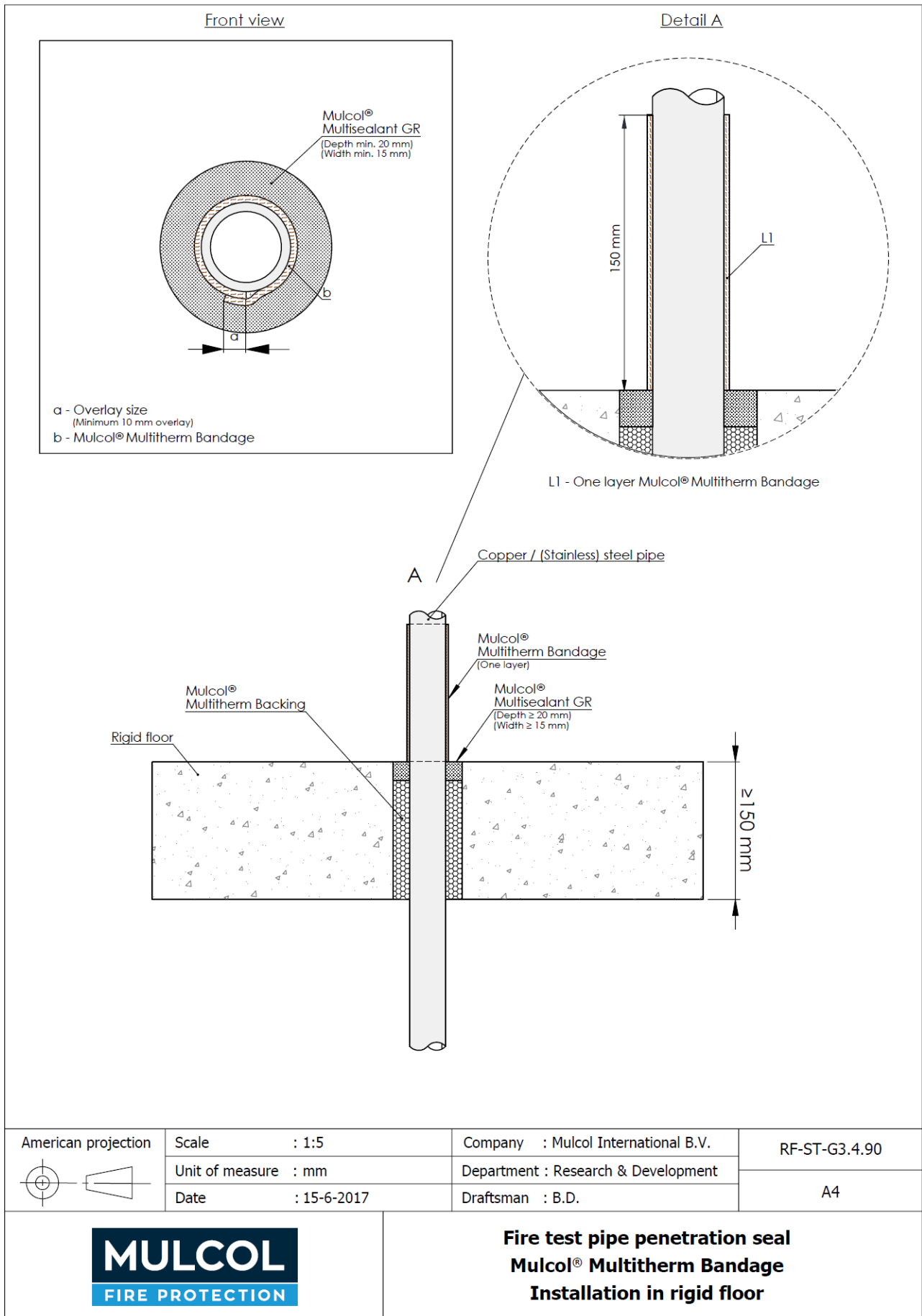


Pipe material	Maximum Pipe diameter mm	Pipe wall thickness mm	Annular Space mm	Layers below the floor	Additional components	Classification*
Copper / (Stainless-) steel / Cast iron	35	1.5 to 14.2	15 to 75	one (see fig. 1 according to I.2.13)	3 x steel wires around wraps to the underside	E 120 C/U EI 30 C/U
	22	1.1 to 14.2		three (see fig. 3 according to I.2.13)		E 120 C/U EI 60 C/U

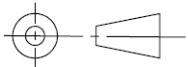
* C/U pipe end configuration applies to C/C also



B.2.6 Metal pipes with one or three Mulcol® Multitherm Bandage above the floor, with Mulcol® MULTISEALANT GR



American projection



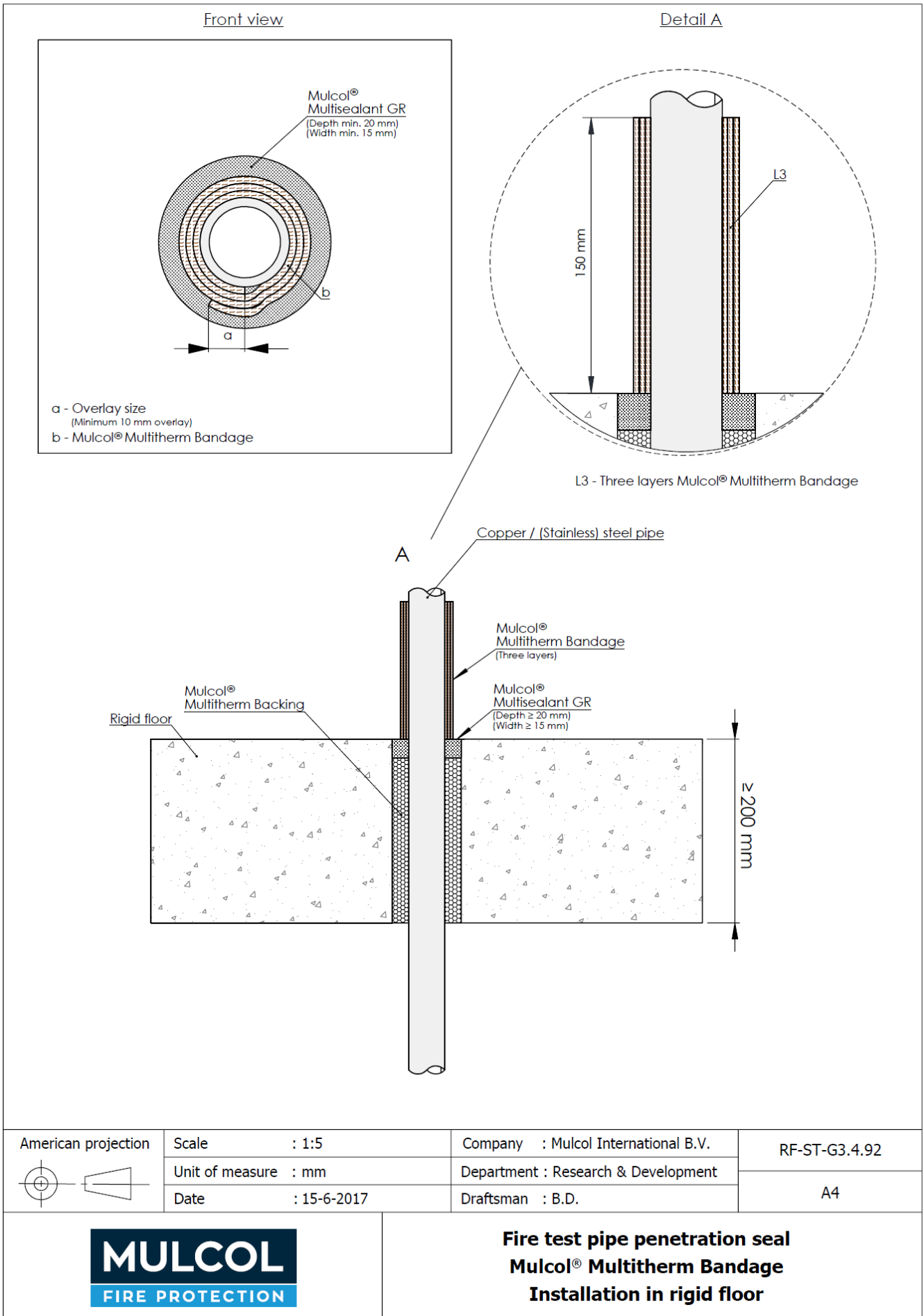
Scale : 1:5
 Unit of measure : mm
 Date : 15-6-2017

Company : Mulcol International B.V.
 Department : Research & Development
 Draftsman : B.D.

RF-ST-G3.4.90
 A4



**Fire test pipe penetration seal
 Mulcol® Multitherm Bandage
 Installation in rigid floor**

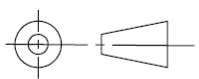


American projection

Scale : 1:5

Company : Mulcol International B.V.

RF-ST-G3.4.92



Unit of measure : mm

Department : Research & Development

Date : 15-6-2017

Draftsman : B.D.

A4



Fire test pipe penetration seal
Mulcol® Multitherm Bandage
Installation in rigid floor

Pipe material	Maximum Pipe diameter mm	Pipe wall thickness mm	Annular Space mm	Layers above the floor	Additional components	Classification*
Copper / (Stainless-) steel / Cast iron	35	1.5 to 14.2	15 to 75	One (see fig. 1 according to I.2.13)	N/A	E 120 C/U EI 30 C/U
	22	1.1 to 14.2		three (see fig. 3 according to I.2.13)		E 120 C/U EI 60 C/U

* C/U pipe end configuration applies to C/C also

